



FHsolar&led

Soluciones energéticas renovables

Ibérica

Spain - México - Colombia - Panamá

Experts
Lighting
Led - Solar

Somos
Expertos en
Iluminación
Led - Solar

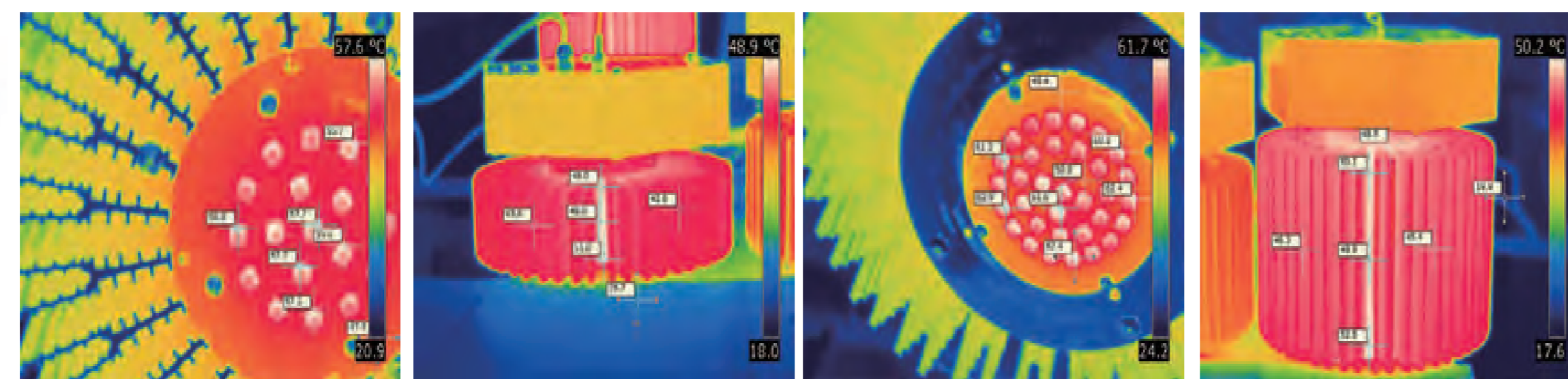


HIGH BAY HIGH BAY

Unprecedented one in industrial lighting

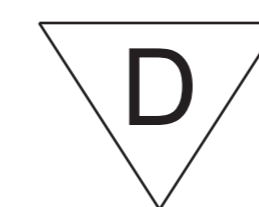


ULTIMATE THERMAL MANAGEMENT



PHILIPS LUMILEDS INSIDE PHILIPS ADVANCE

PHILIPS



Xtitanium LED Driver

10 years Loyalty with Philips

The cooperation with Philips is all along the development of FH Solar & Led Iberica. The use of Philips Luxeon chip and Xtitanium driver made it possible to build the FH high bay with very high standards in terms of technical features and design.

Moreover, the direct feedback by our existing customers, as well as the Philips' global experience in application helped us meet these requirements in a concept of global product & local care.



Unique Excellence



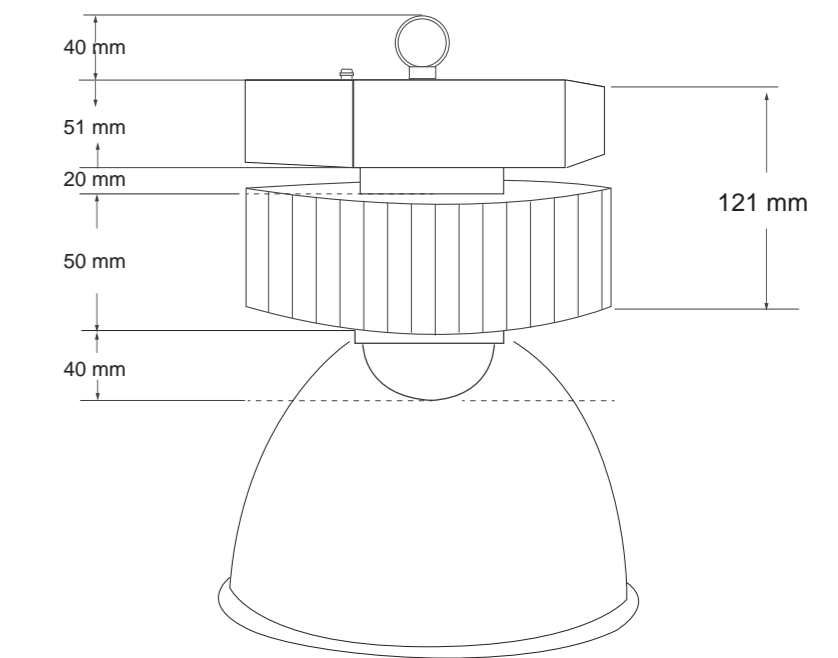
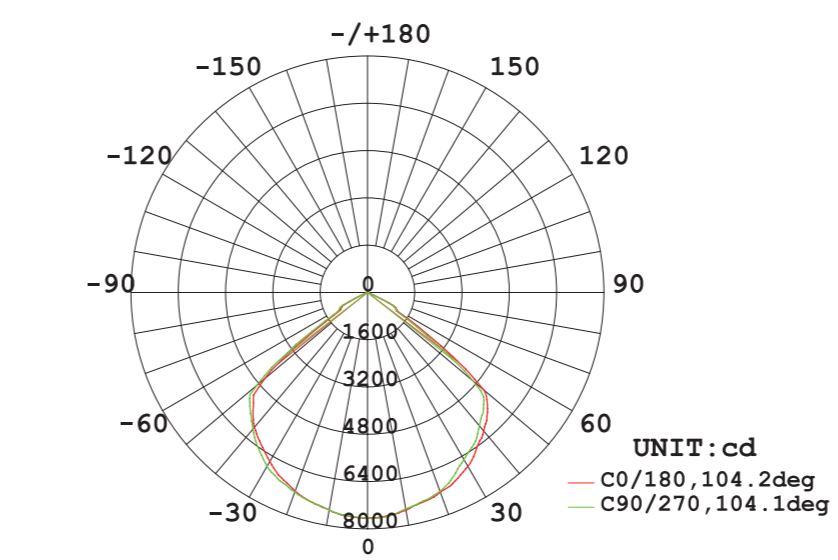
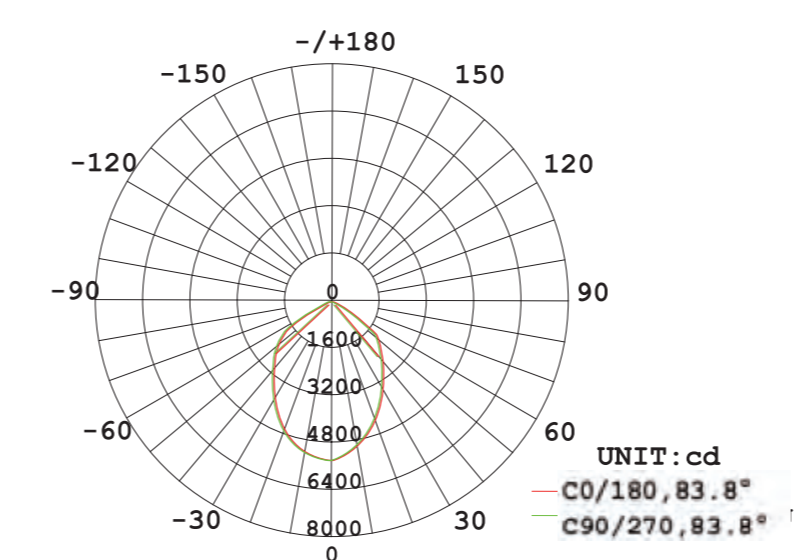
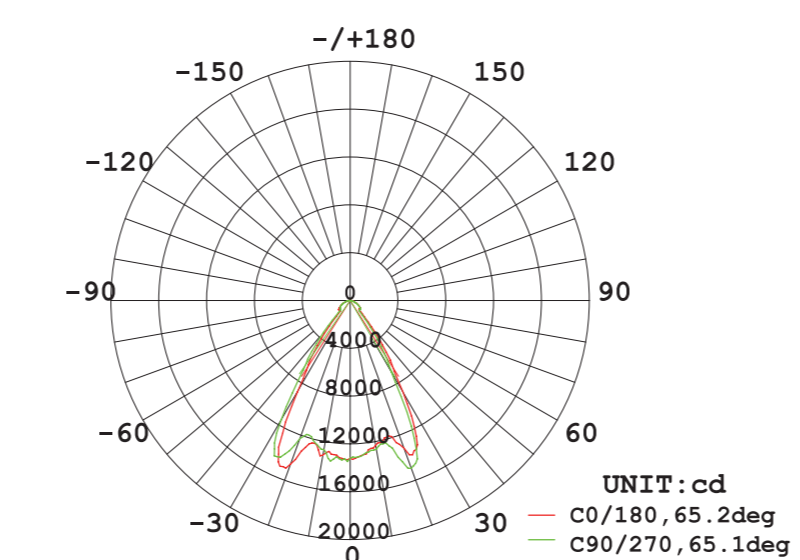
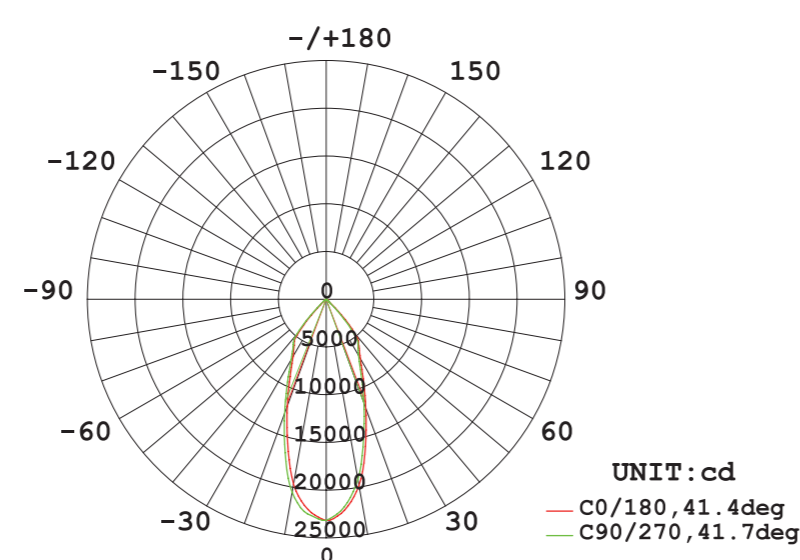
HIGH BAY

FH Solar & Led Ibérica High Bay

Unprecedented one in industrial Lighting

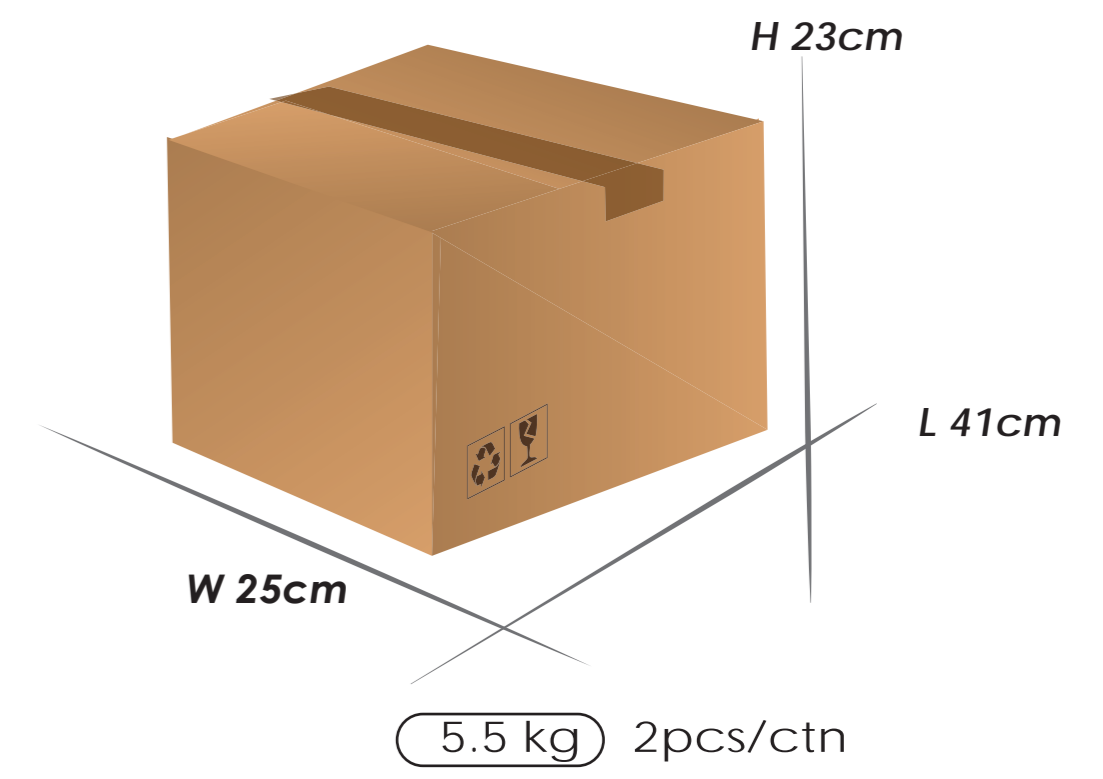
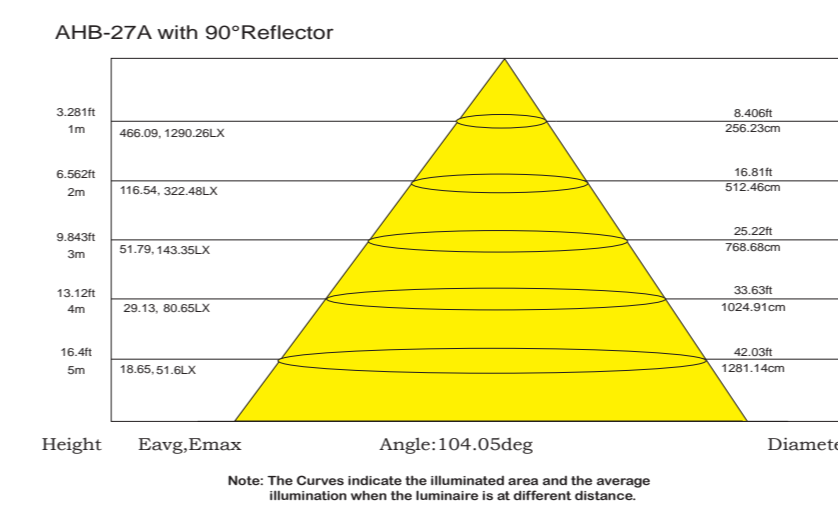
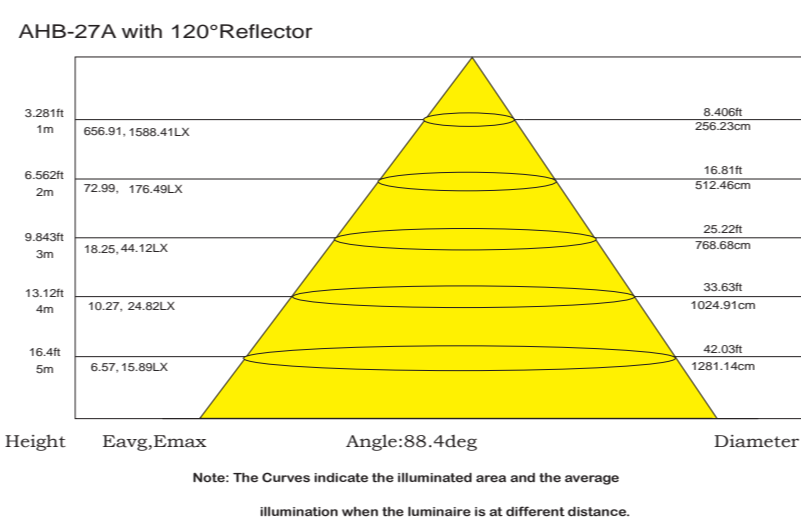
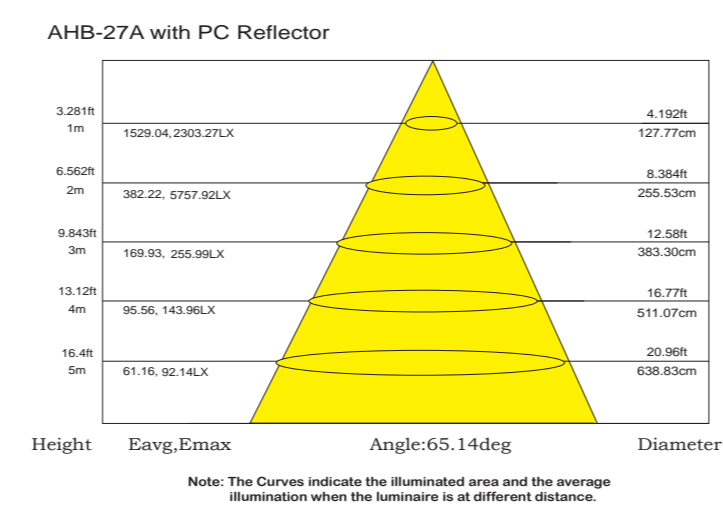
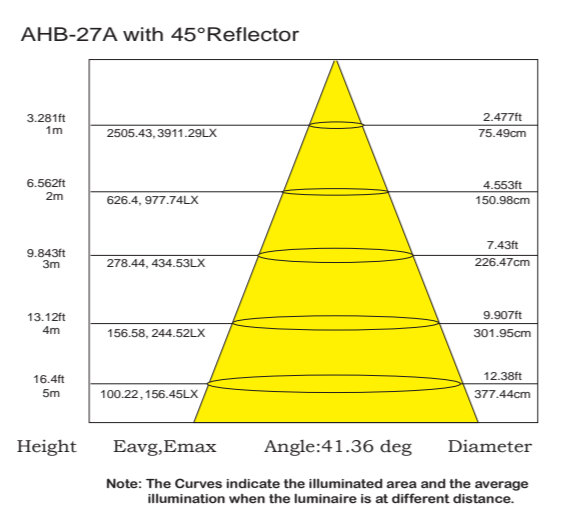
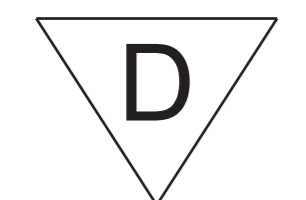
FH-HBP27W Fifth Generation Led

Unique Excellence



2.0 kg

PHILIPS LUMILEDS INSIDE PHILIPS ADVANCE



27 W

3,220 LM

220-240 V
120-277 V

CRI 70/80/90

3000K ~ 5700K

PF ≥0.95

IP 20/65

CLASS I

-40°C ~ 55°C

LIFE 100,000H

HOUSING AL 6063

WARRANTY 10 Yrs

* Lumen output tested by TUV SUD through the method of IES-LM79, based on 4 hours operating with 120degree reflector
 ** Maximum life expectancy of 100,000 hours at Ta ≤ 38° C
 FH Solar & Led Ibérica maintains a tolerance of ±5% on power and ±10% on flux measurements.

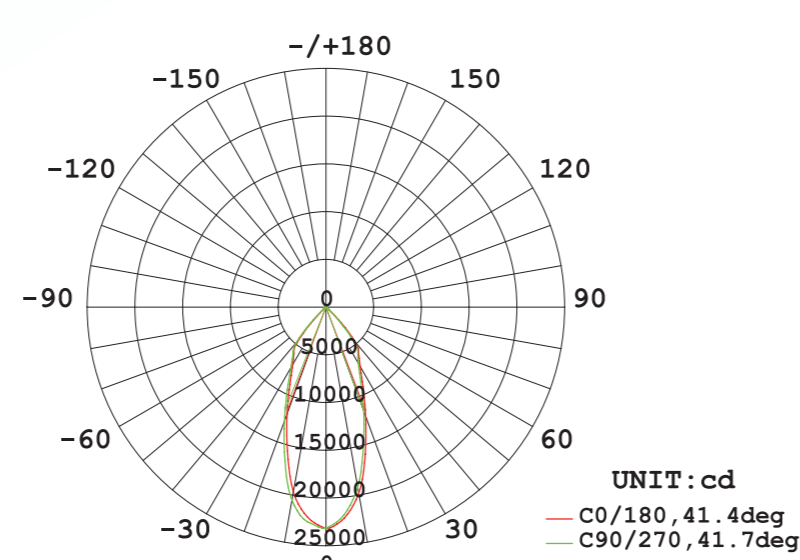
PHILIPS sense and simplicity

FH Solar & Led Ibérica High Bay

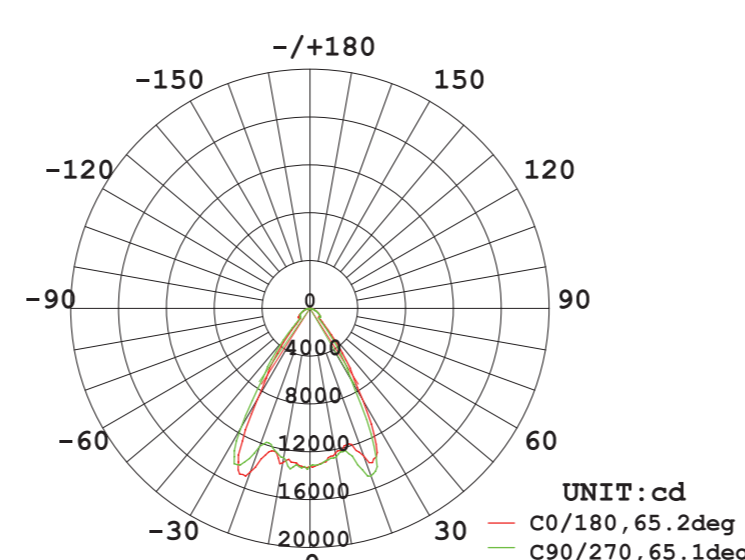
Unprecedented one in industrial Lighting

FH-HBP53W Fifth Generation Led

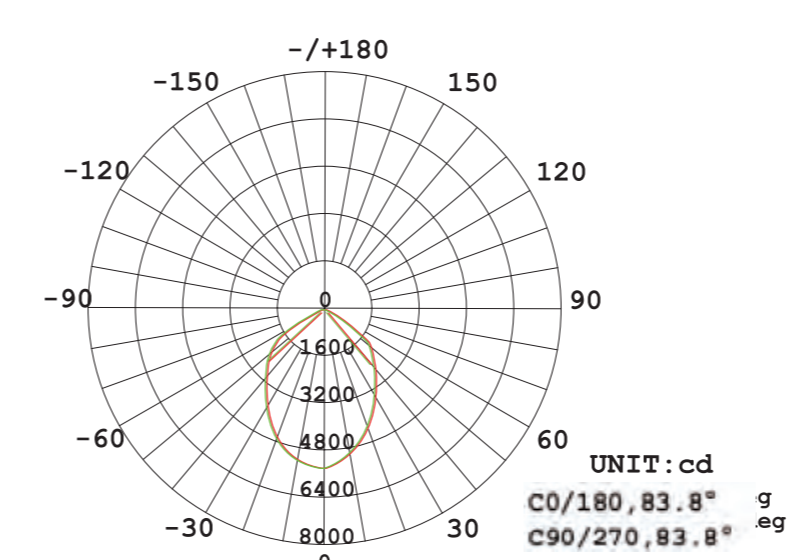
Unique Excellence



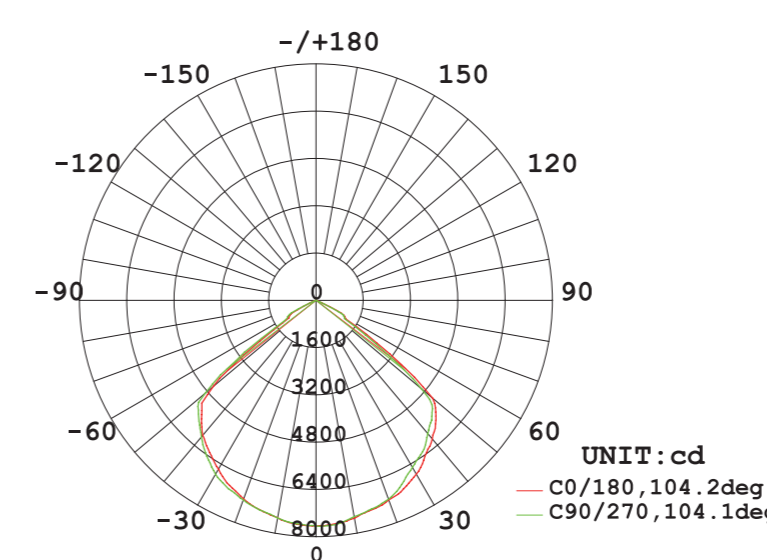
▶ 41.36°



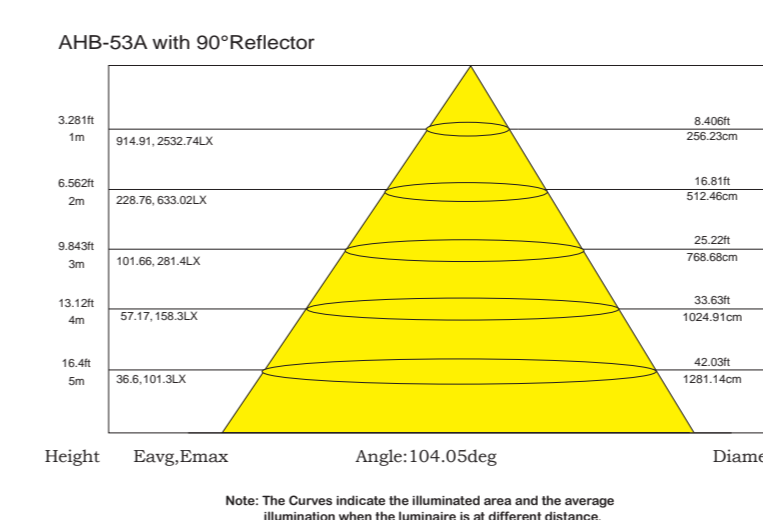
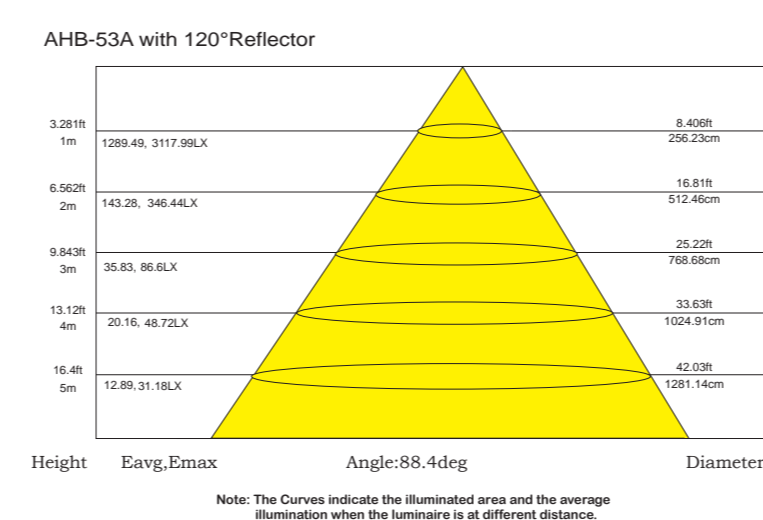
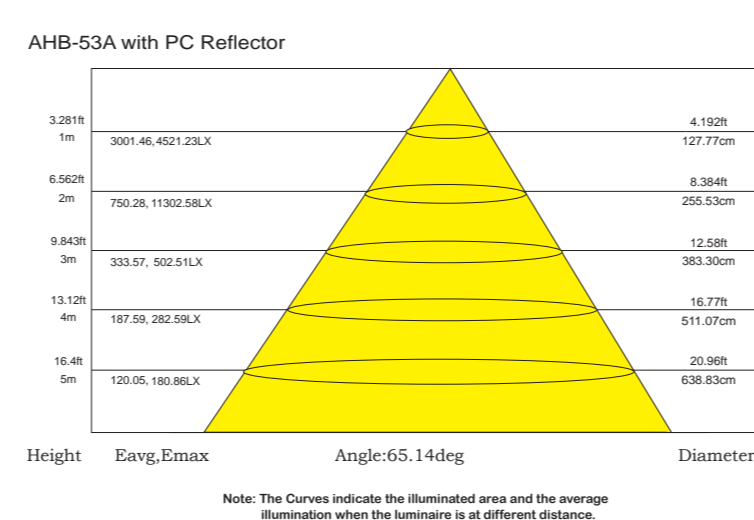
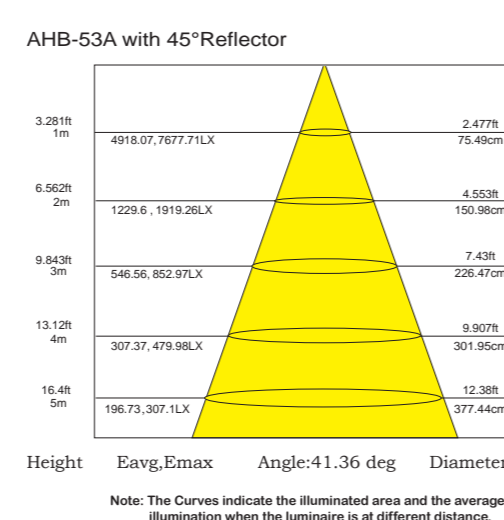
▶ 65.14°



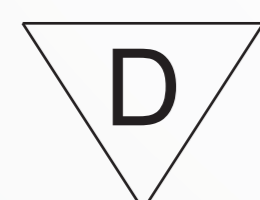
▶ 88.4°



▶ 104.05°



PHILIPS LUMILEDS INSIDE PHILIPS ADVANCE



53 W

6,320 LM

220-240 V
120-277 V

CRI 70/80/90

3000K ~ 5700K

PF ≥0.95

IP 20/65

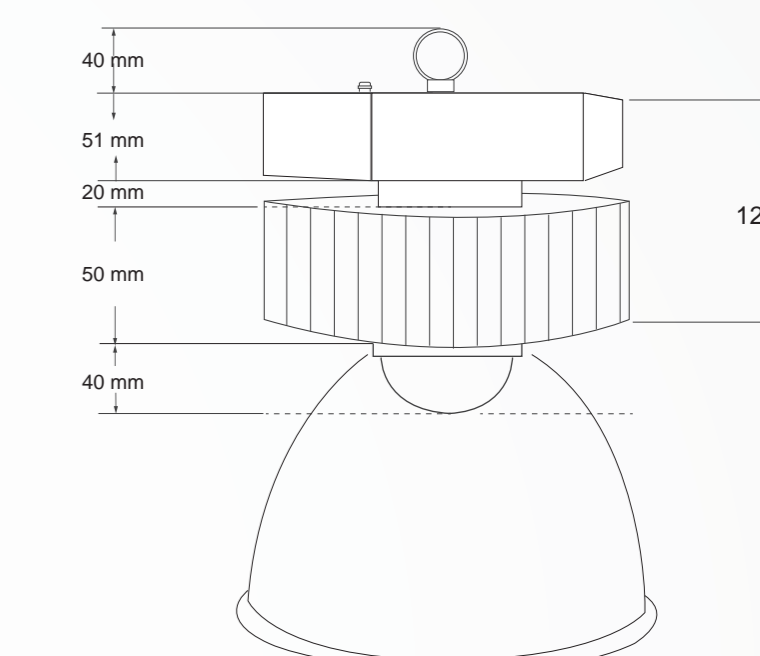
CLASS I

-40°C ~ 55°C

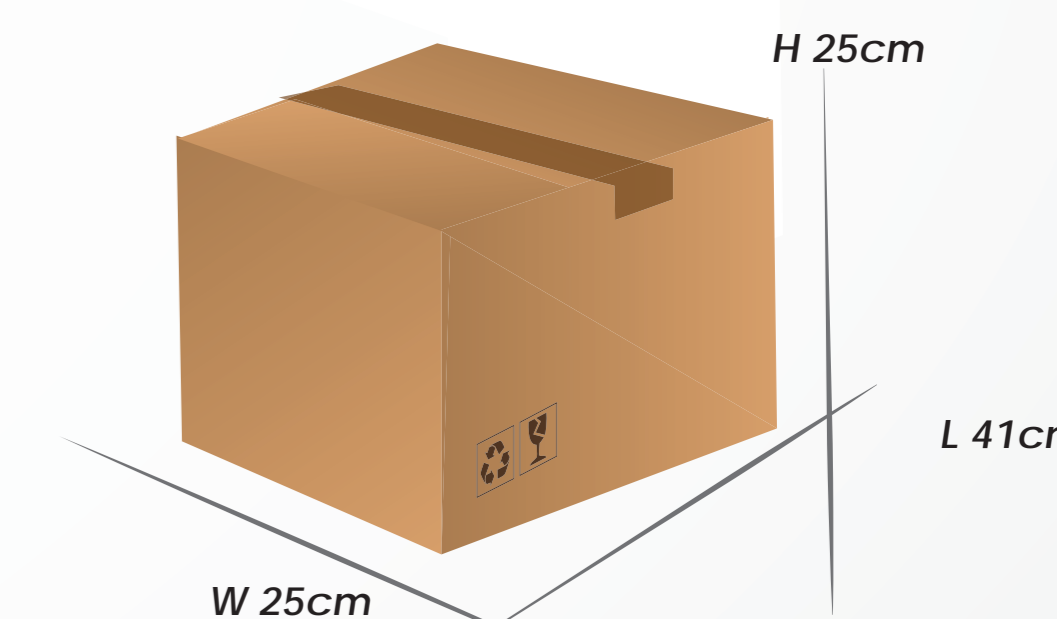
LIFE 100,000H

HOUSING AL 6063

WARRANTY 10 Yrs



2.5 kg



6.5 kg 2pcs/ctn

* Lumen output tested by TUV SUD through the method of IES-LM79, based on 4 hours operating with 120degree reflector
 ** Maximum life expectancy of 100,000 hours at Ta ≤ 38° C
 FH Solar & Led Ibérica maintains a tolerance of ±5% on power and ±10% on flux measurements.

PHILIPS sense and simplicity

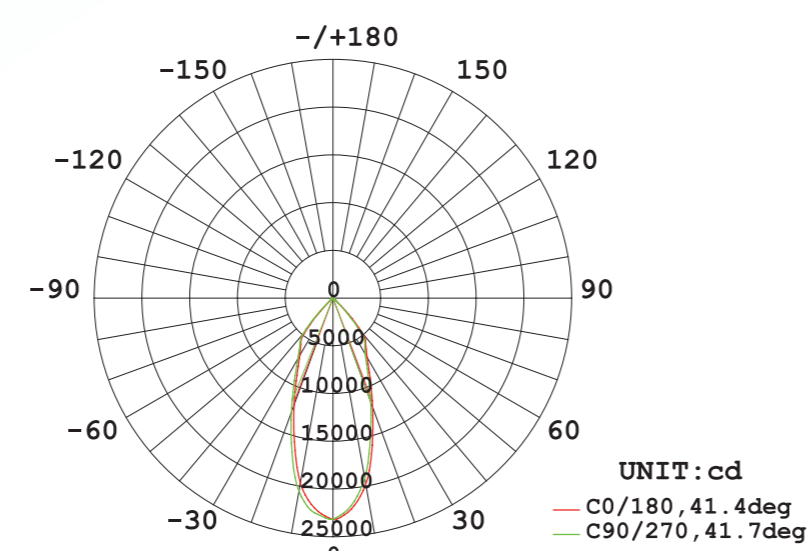
FH Solar & Led Ibérica High Bay

Unprecedented one in industrial Lighting

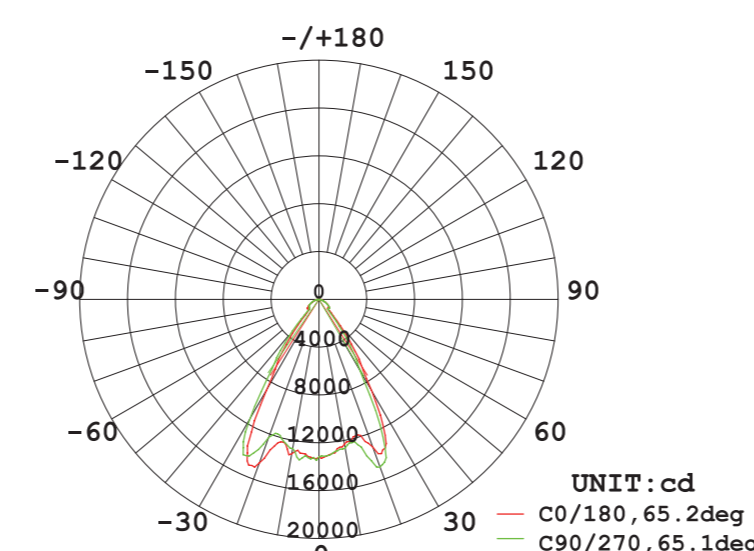
FH-HBP80W

Fifth Generation Led

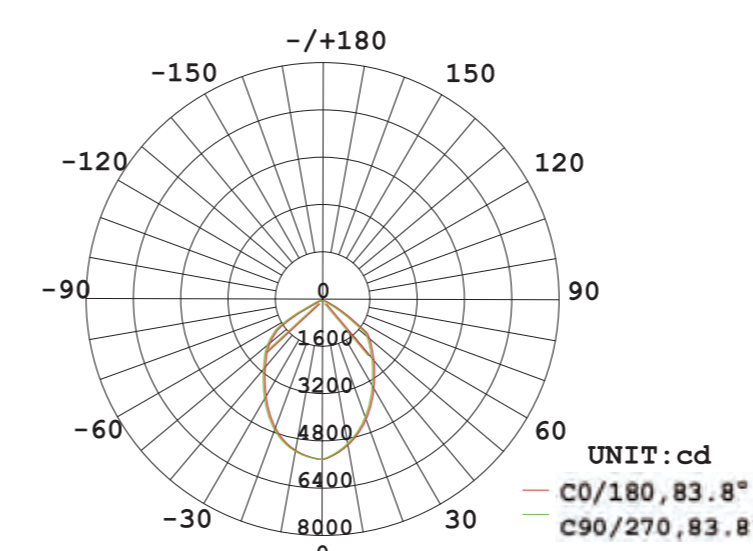
Unique Excellence



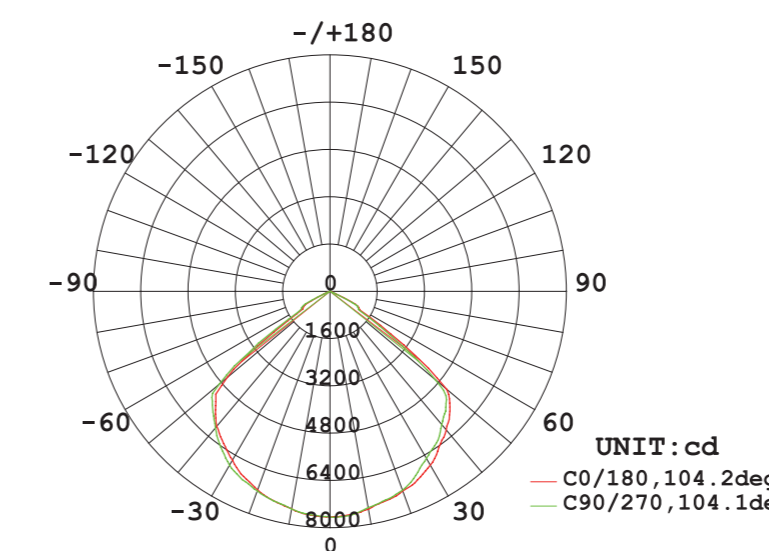
▶ 41.36°



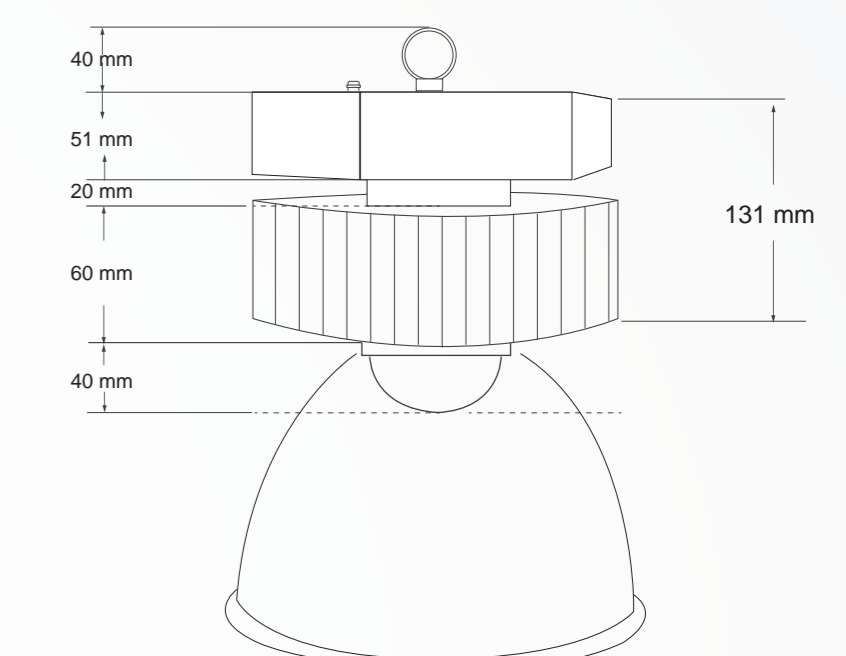
▶ 65.14°



▶ 88.4°

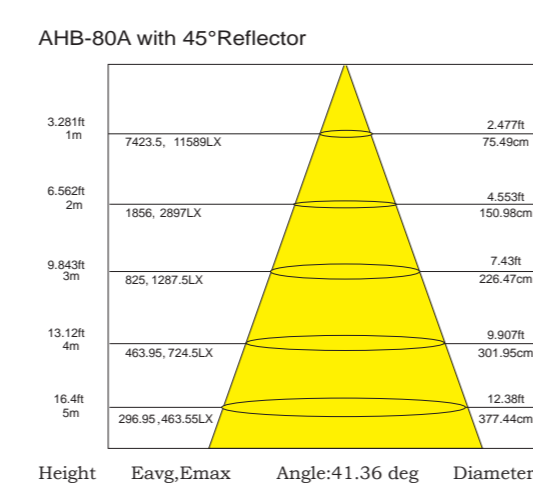
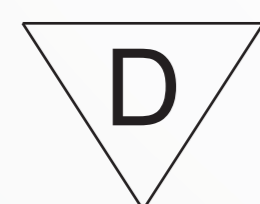


▶ 104.05°

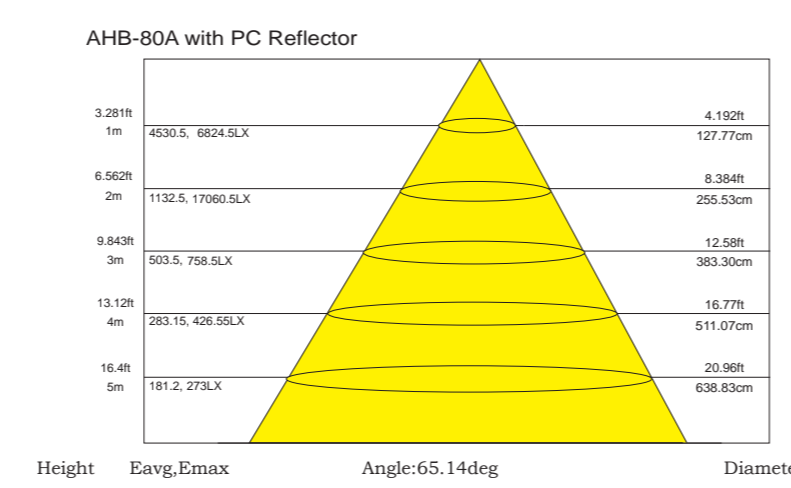


3.0kg

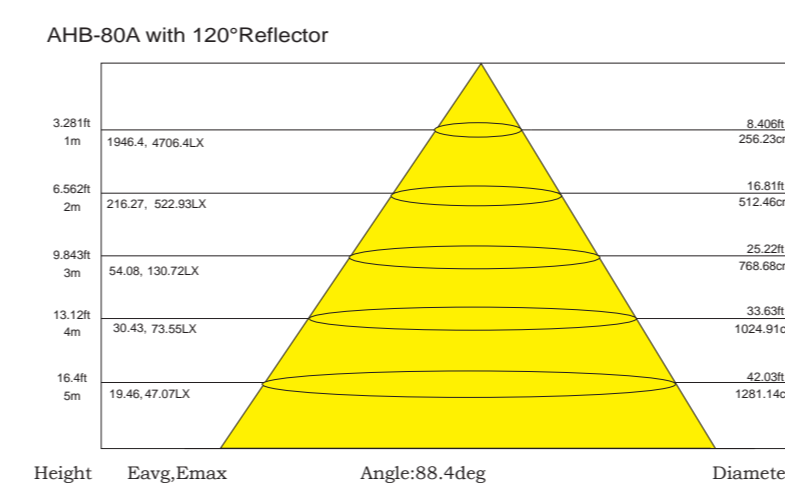
PHILIPS LUMILEDS INSIDE PHILIPS ADVANCE



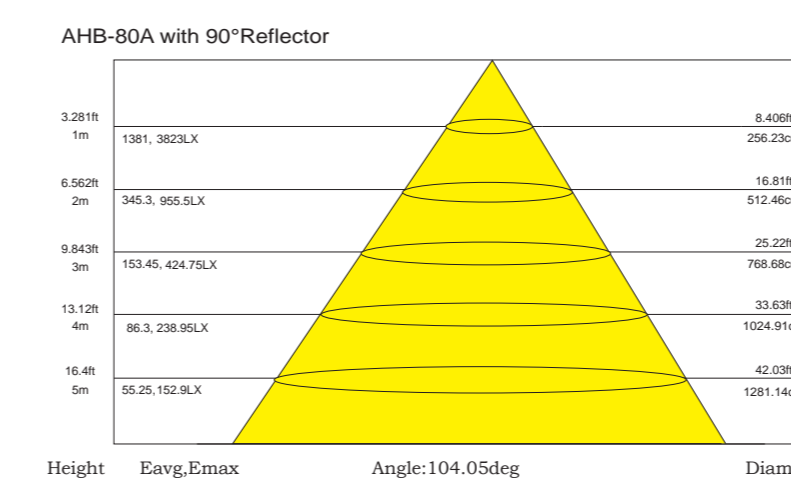
Note: The Curves indicate the illuminated area and the average illumination when the luminaire is at different distance.



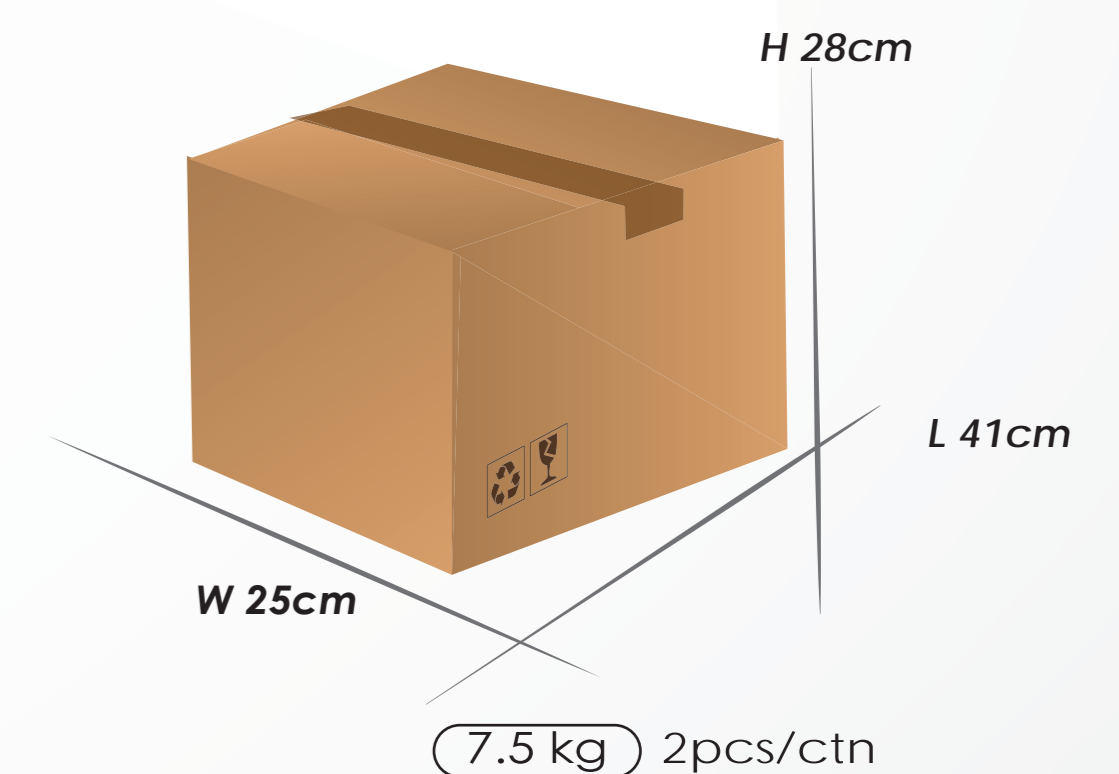
Note: The Curves indicate the illuminated area and the average illumination when the luminaire is at different distance.



Note: The Curves indicate the illuminated area and the average illumination when the luminaire is at different distance.



Note: The Curves indicate the illuminated area and the average illumination when the luminaire is at different distance.



80 W

9,542 LM

220-240 V
120-277 V

CRI 70/80/90

3000K ~ 5700K

PF ≥0.95

IP 20/65

CLASS I

-40°C~55°C

LIFE 100,000H

HOUSING AL 6063

WARRANTY 10 Yrs

* Lumen output tested by TUV SUD through the method of IES-LM79, based on 4 hours operating with 120degree reflector

** Maximum life expectancy of 100,000 hours at Ta ≤ 38° C

FH Solar & Led Ibérica maintains a tolerance of ±5% on power and ±10% on flux measurements.

PHILIPS sense and simplicity

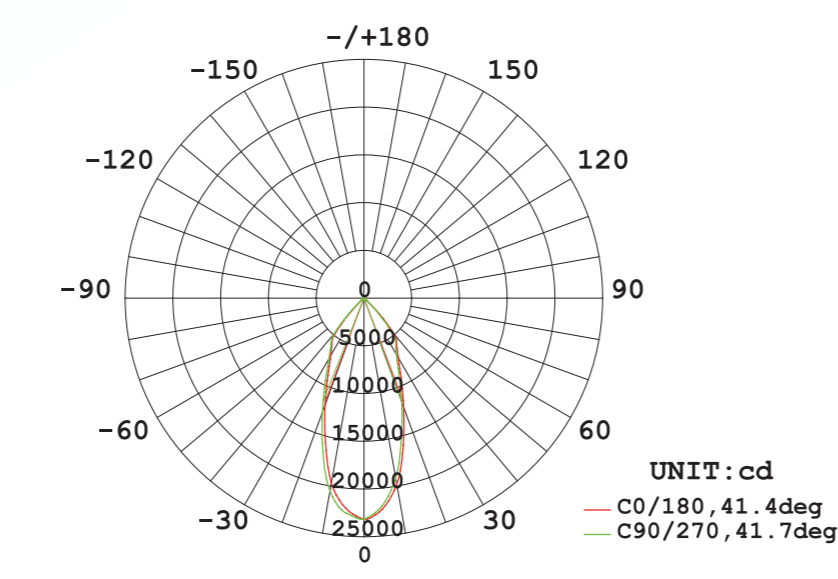
FH Solar & Led Ibérica High Bay

Unprecedented one in industrial Lighting

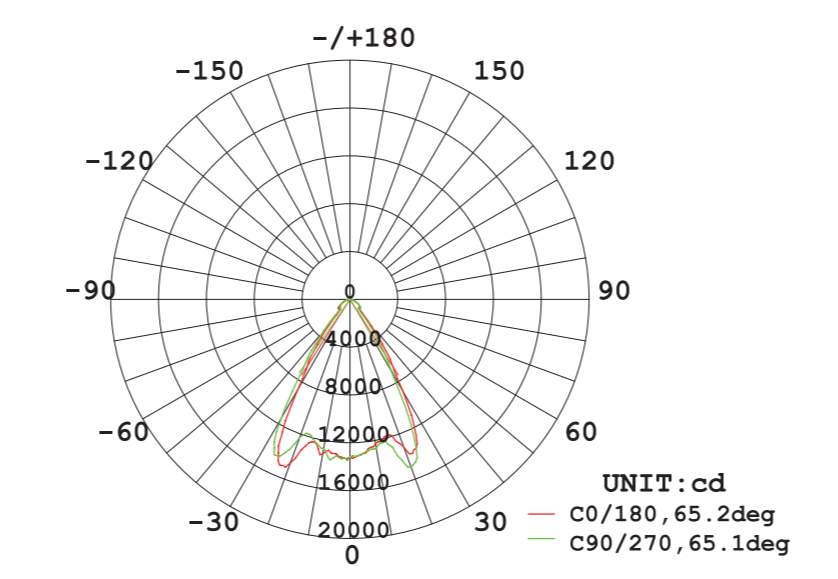
FH-HBP100W

Fifth Generation Led

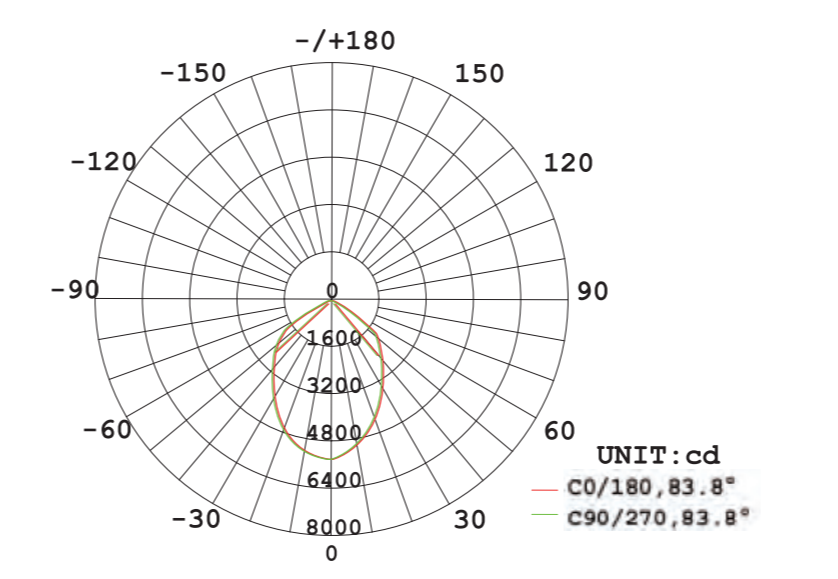
Unique Excellence



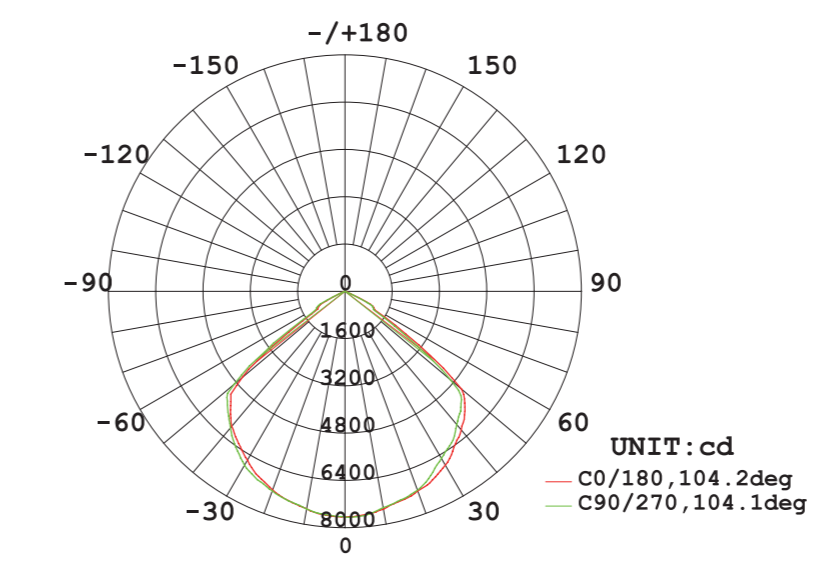
▶ 41.36°



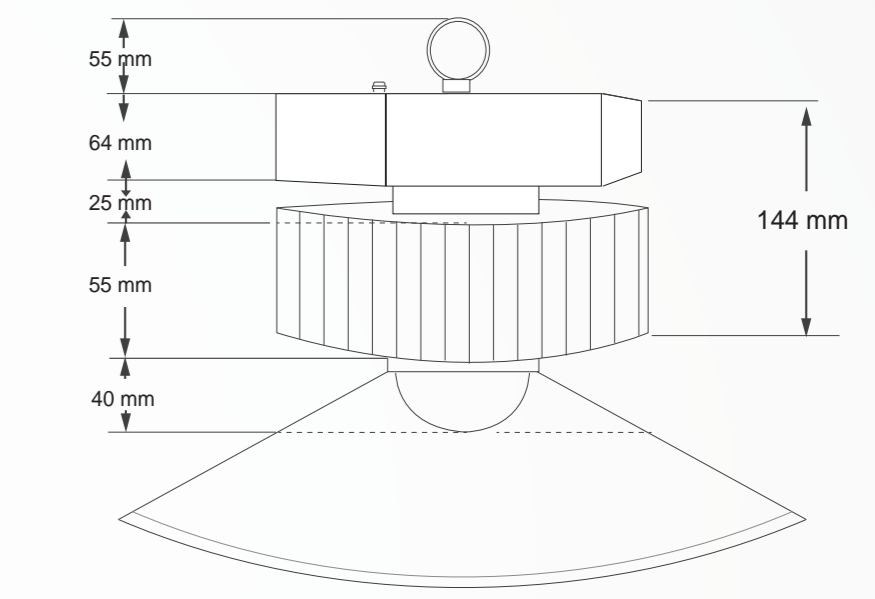
▶ 65.14°



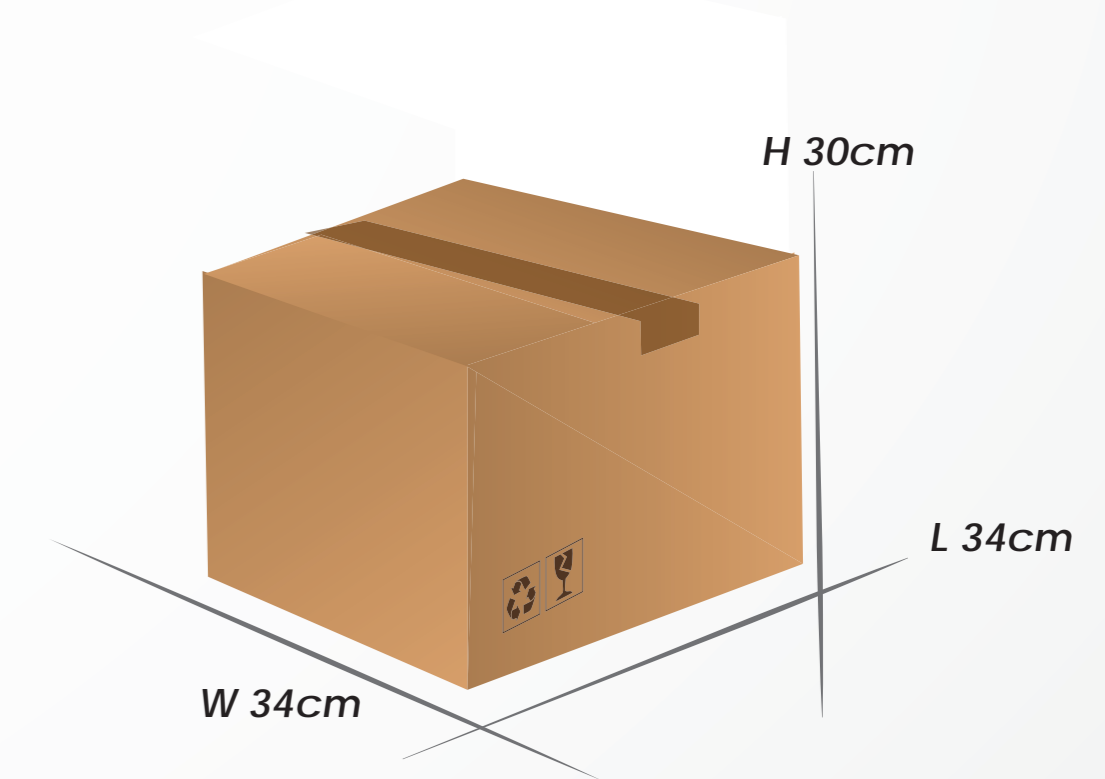
▶ 88.4°



▶ 107.44°

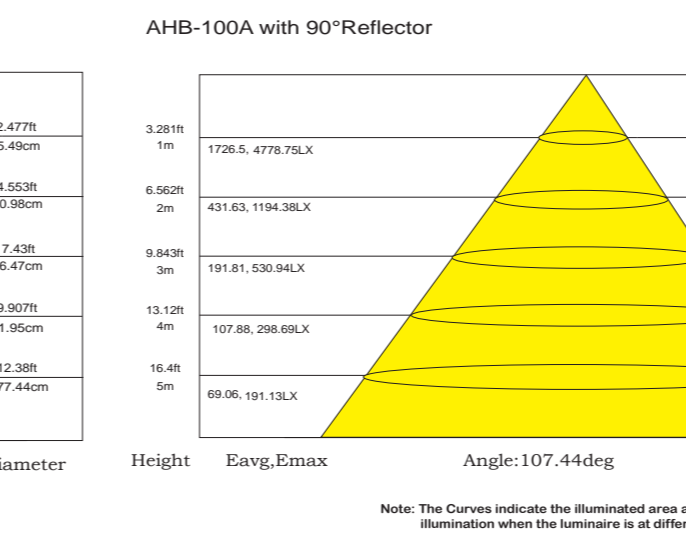
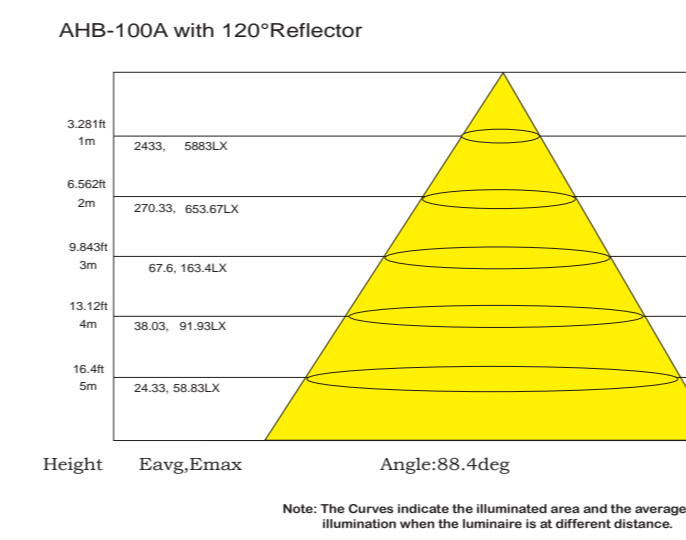
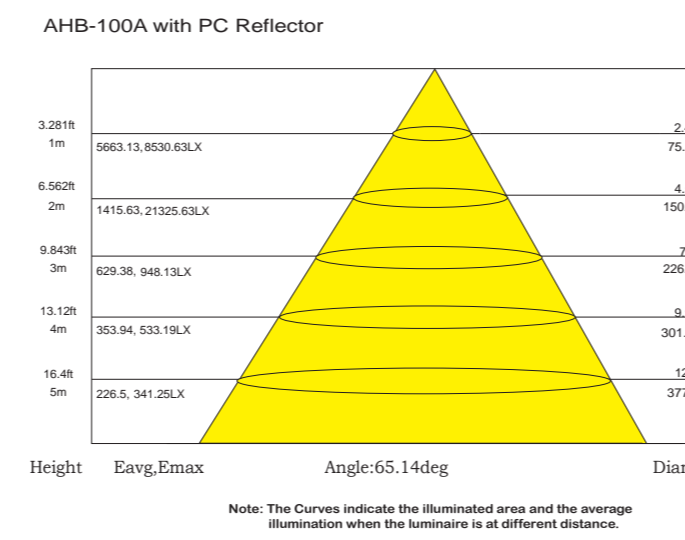
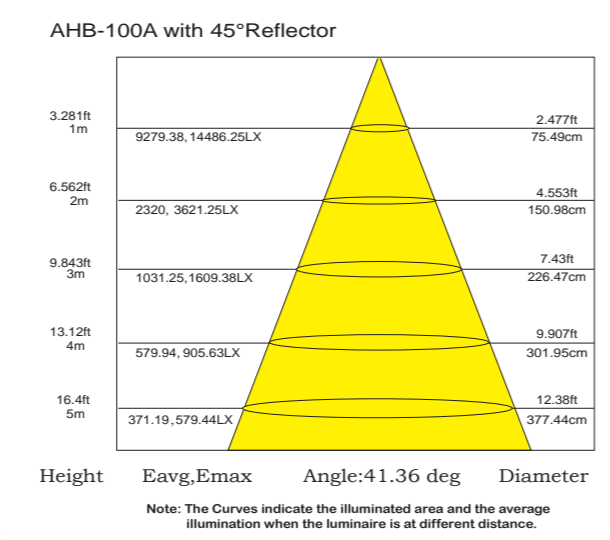
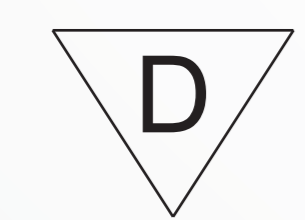


5.00 kg



6.00 kg

PHILIPS LUMILEDS INSIDE PHILIPS ADVANCE



100 W

11,367 LM*

220-240 V
120-277 V

CRI 70/80/90

3000K ~ 5700K

PF ≥0.95

IP 20/65

CLASS I

-40°C ~ 55°C

LIFE 100,000H**

HOUSING AL 6063

WARRANTY 10 Yrs

* Lumen output tested by TUV SUD through the method of IES-LM79, based on 4 hours operating with 120degree reflector.
 ** Maximum life expectancy of 100,000 hours at Ta ≤ 38° C.

FH Solar & Led Ibérica maintains a tolerance of ±5% on power and ±10% on flux measurements.



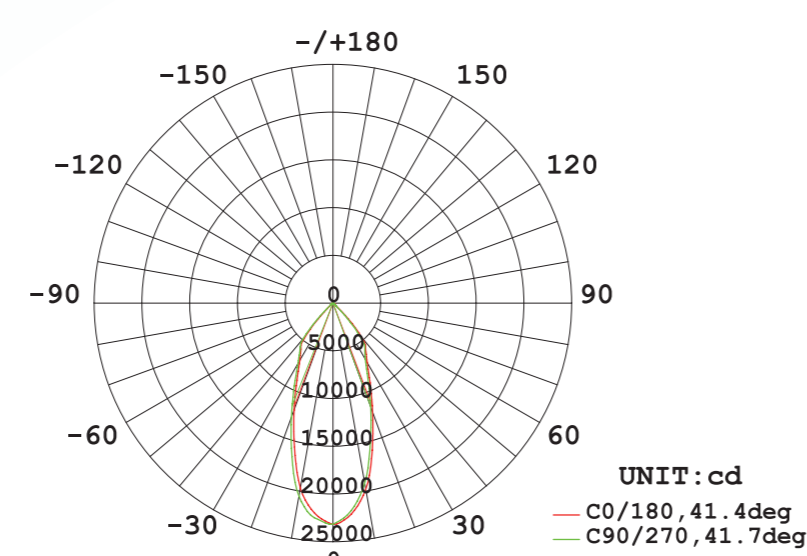
FH Solar & Led Ibérica High Bay

Unprecedented one in industrial Lighting

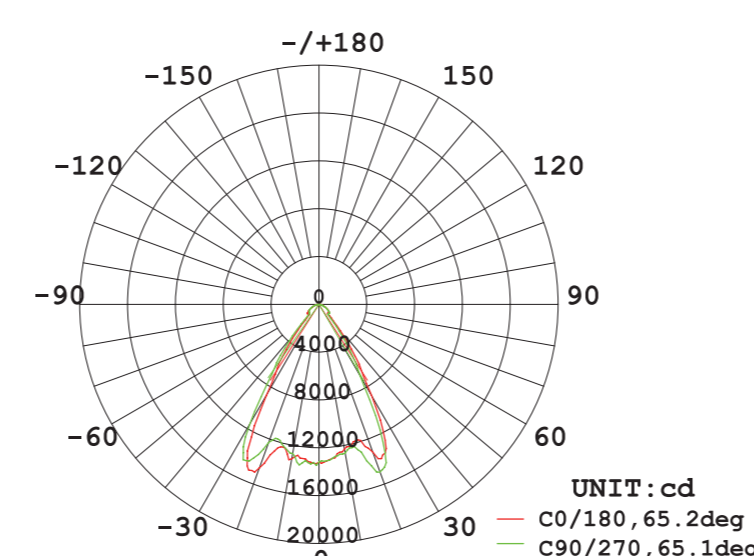
Unique Excellence

FH-HBP130W

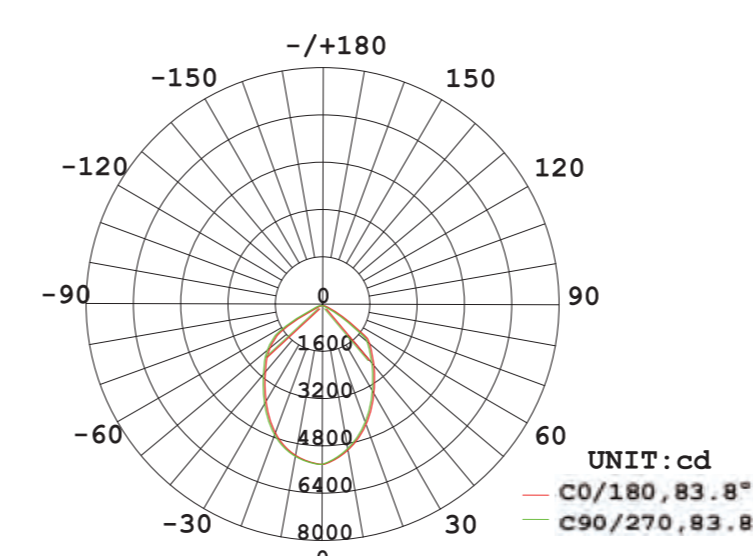
Fifth Generation Led



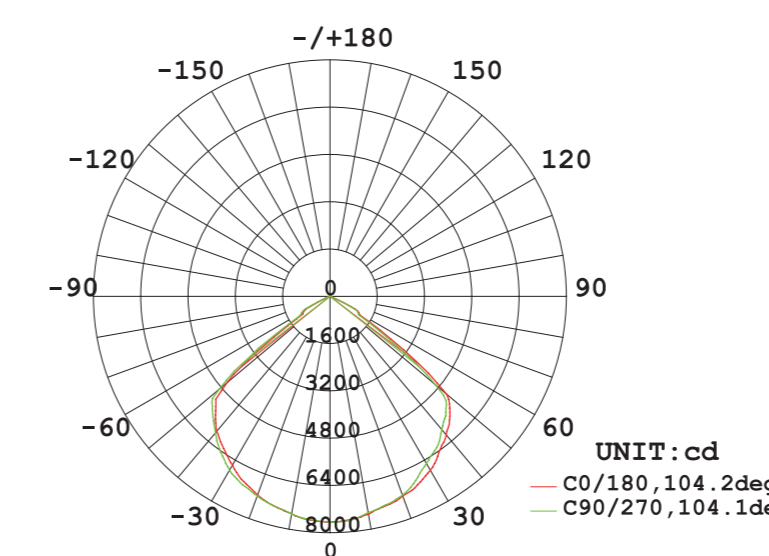
▶ 41.36°



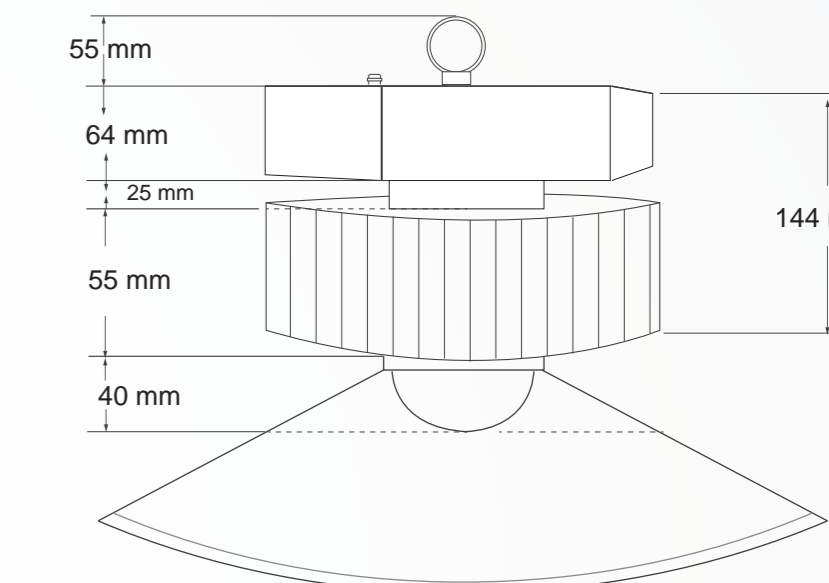
▶ 65.14°



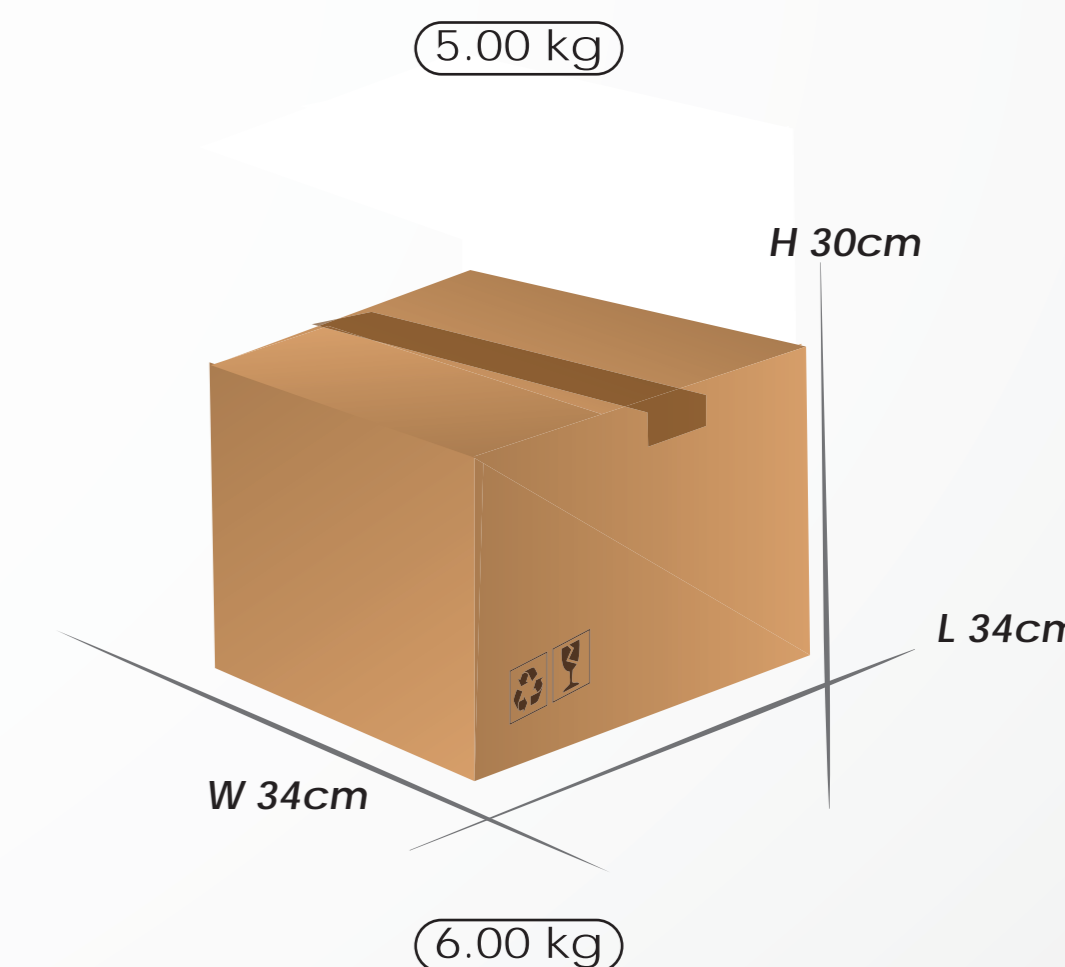
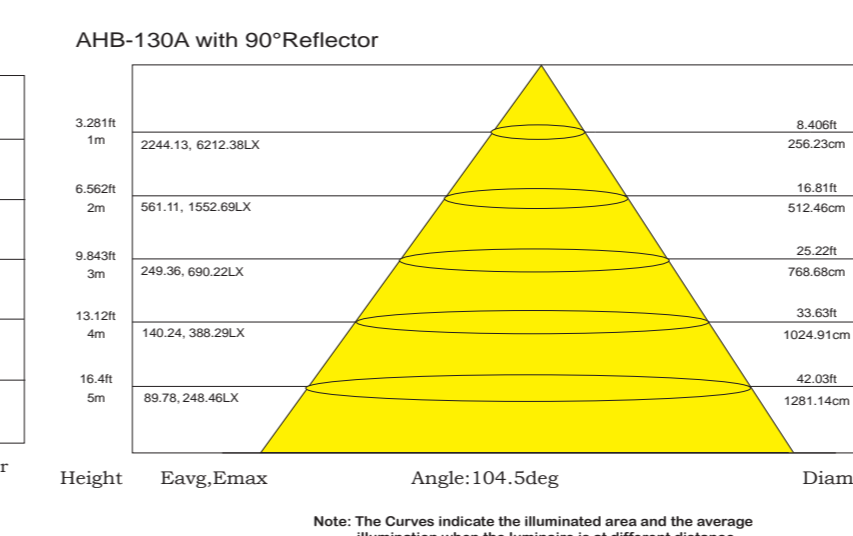
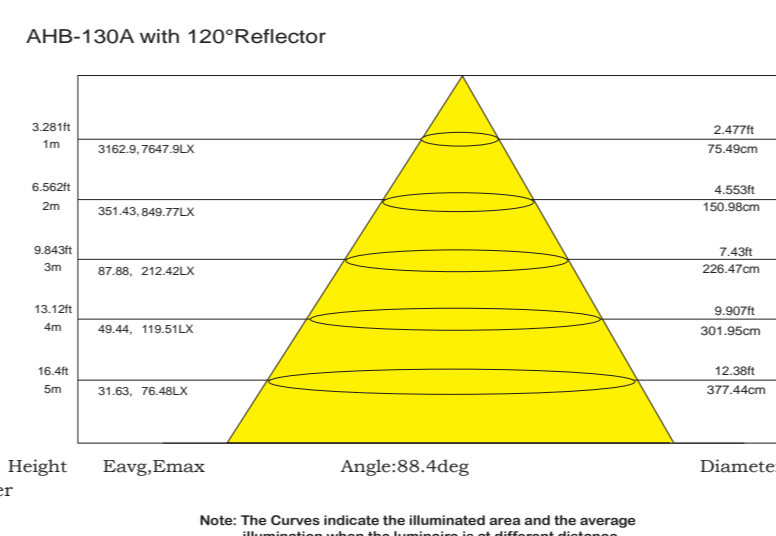
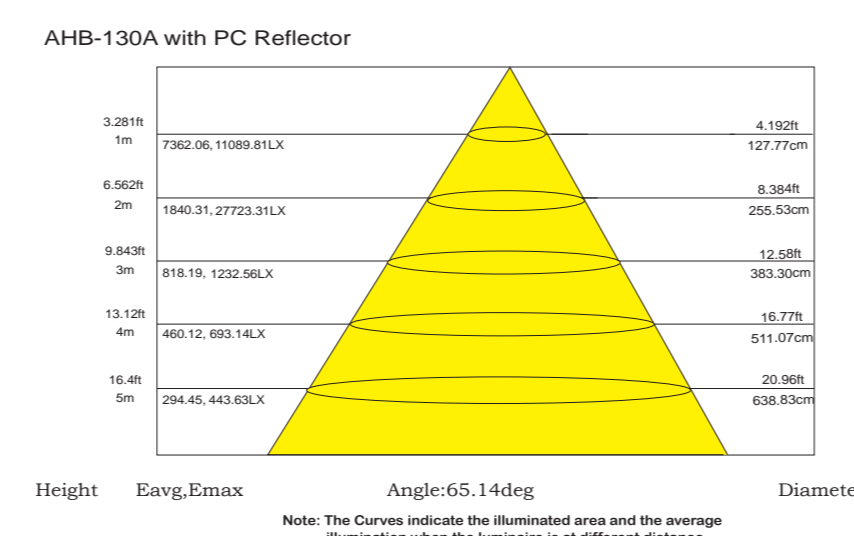
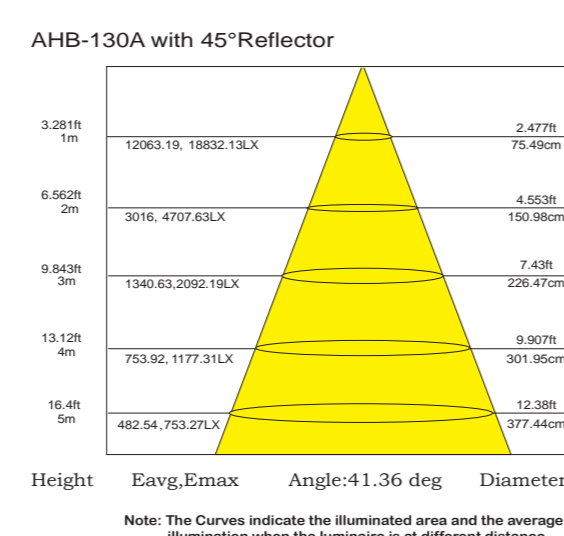
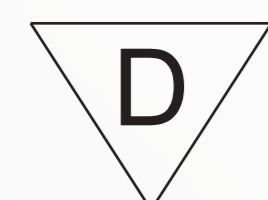
▶ 88.4°



▶ 104.5°



PHILIPS LUMILEDS INSIDE PHILIPS ADVANCE



130 W

14,777 LM*

220-240 V
120-277 V

CRI 70/80/90

3000K ~ 5700K

PF ≥0.95

IP 20/65

CLASS I

-40°C ~ 55°C

LIFE 100,000H**

HOUSING AL 6063

WARRANTY 10 Yrs

* Lumen output tested by TÜV SÜD through the method of IES-LM79, based on 4 hours operating with 120degree reflector

** Maximum life expectancy of 100,000 hours at Ta ≤ 38° C

FH Solar & Led Ibérica maintains a tolerance of ±5% on power and ±10% on flux measurements.

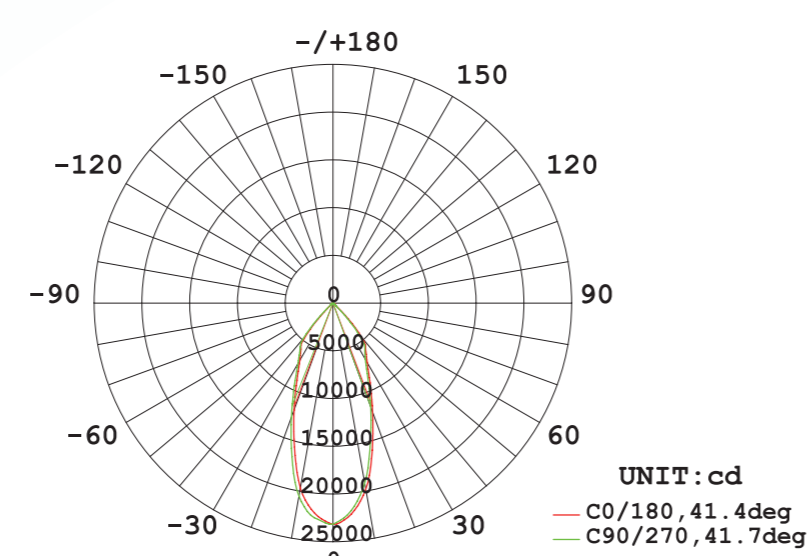
PHILIPS sense and simplicity

FH Solar & Led Ibérica High Bay

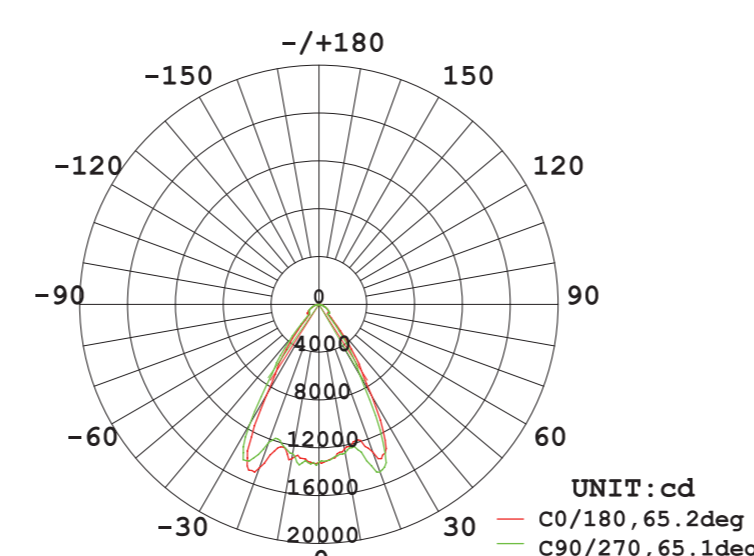
Unprecedented one in industrial Lighting

FH-HBP160W Fifth Generation Led

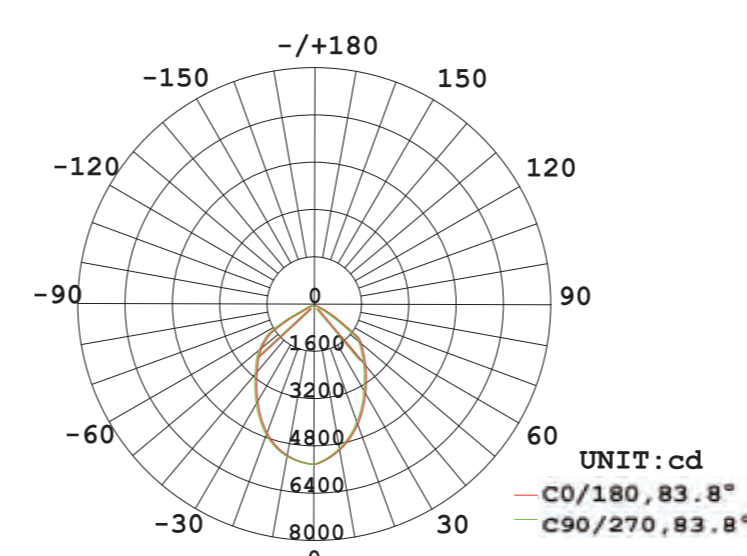
Unique Excellence



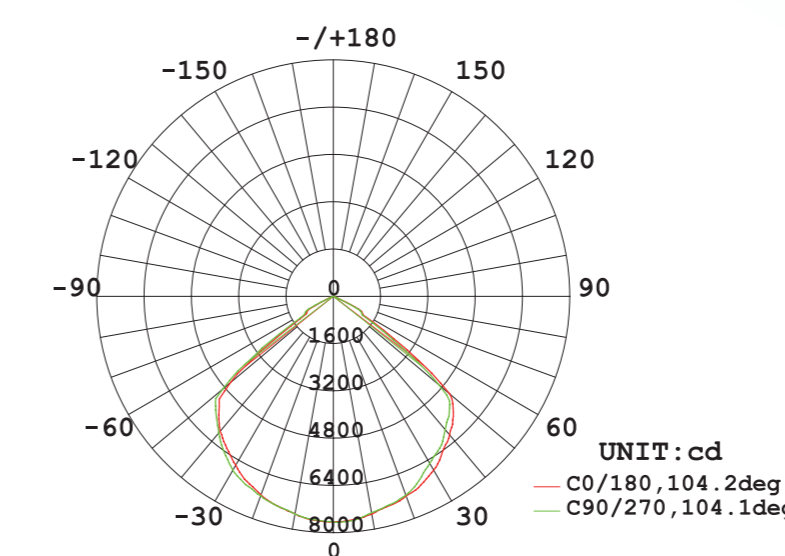
▶ 41.36°



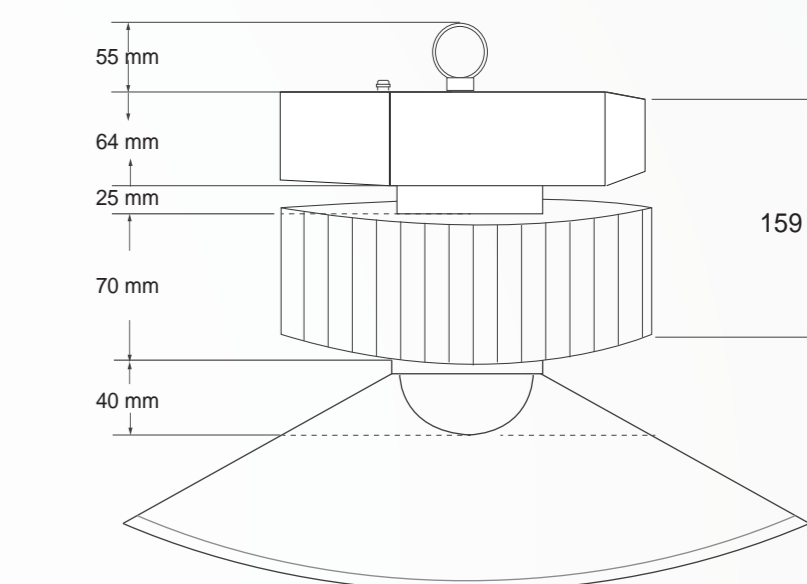
▶ 65.14°



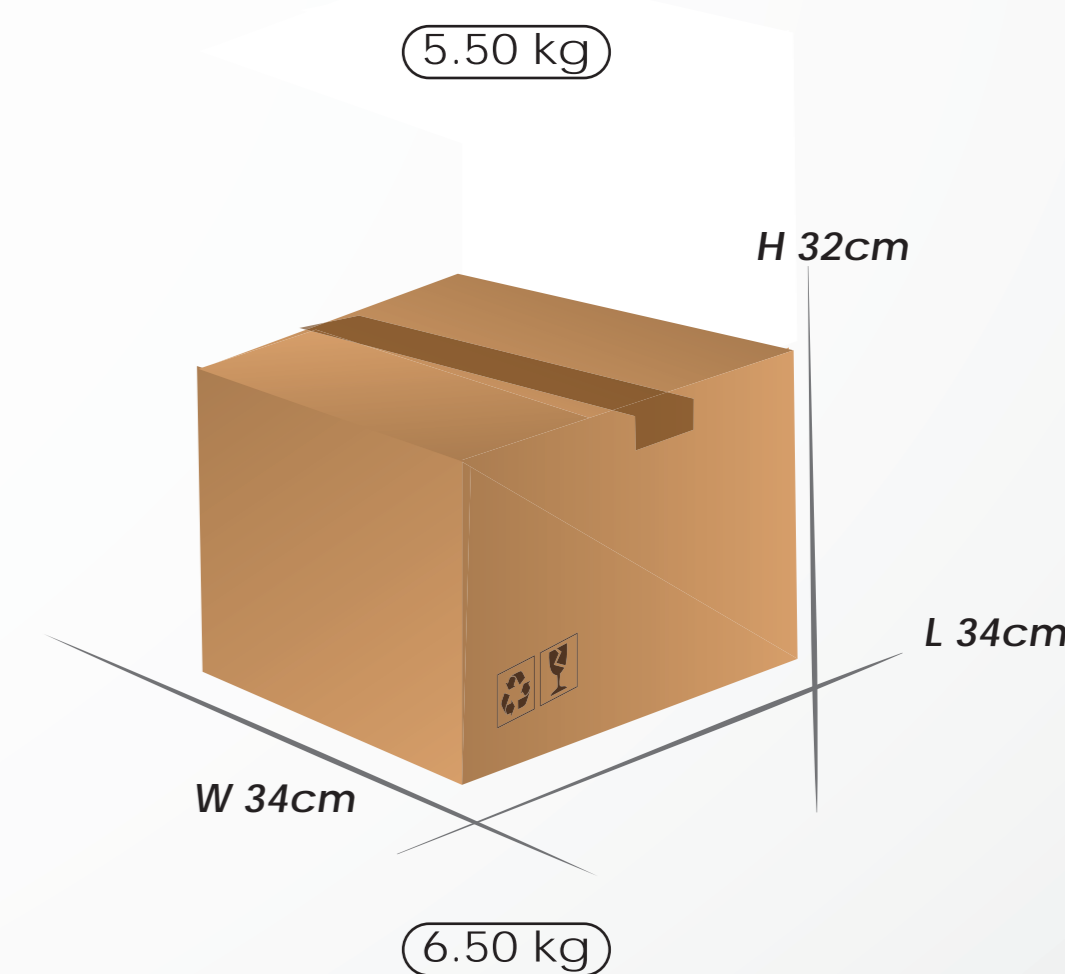
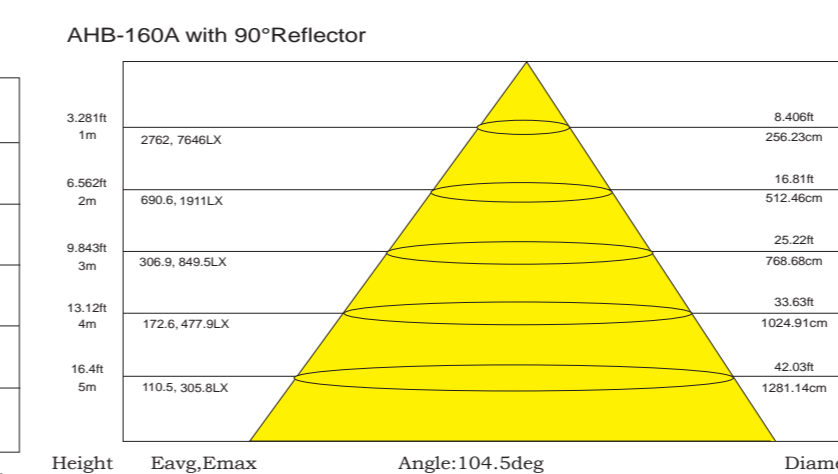
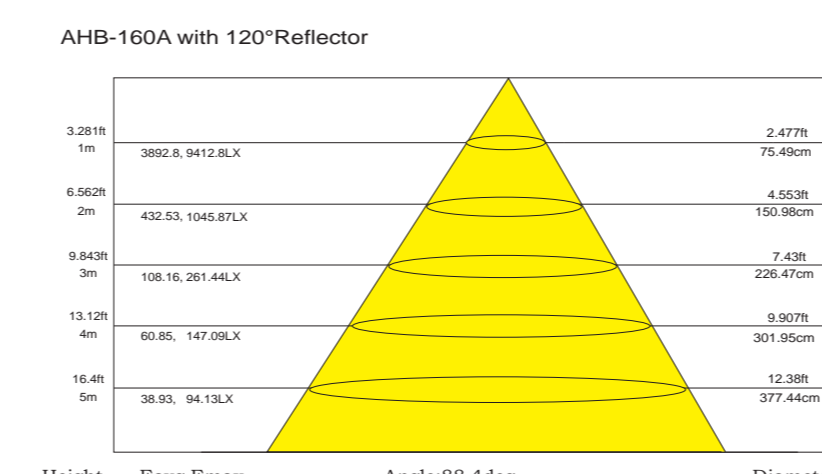
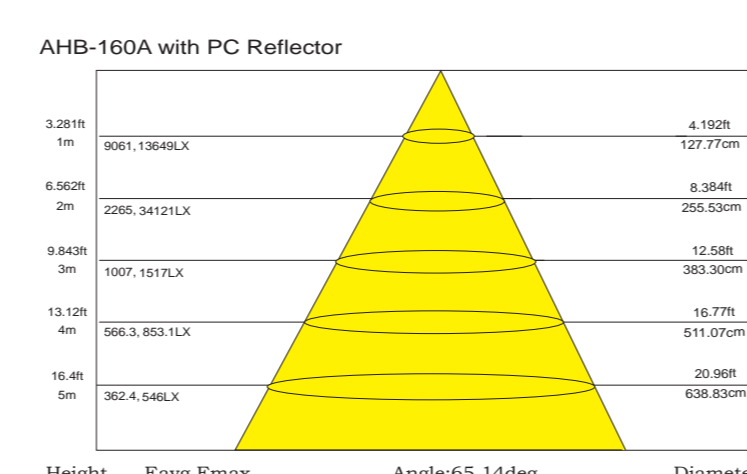
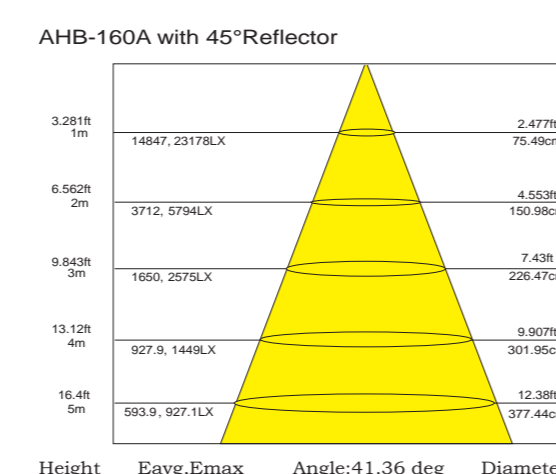
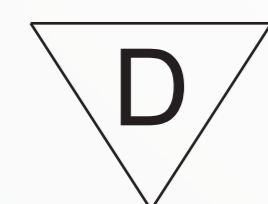
▶ 88.4°



▶ 104.5°



PHILIPS LUMILEDS INSIDE PHILIPS ADVANCE



160 W

18,187 LM

220-240 V
120-277 V

CRI 70/80/90

3000K ~ 5700K

PF ≥0.95

IP 20/65

CLASS I

-40°C ~ 55°C

LIFE 100,000H

HOUSING AL 6063

WARRANTY 10 Yrs

* Lumen output tested by TUV SUD through the method of IES-LM79, based on 4 hours operating with 120degree reflector

** Maximum life expectancy of 100,000 hours at Ta ≤ 38° C

FH Solar & Led Ibérica maintains a tolerance of ±5% on power and ±10% on flux measurements.

PHILIPS sense and simplicity

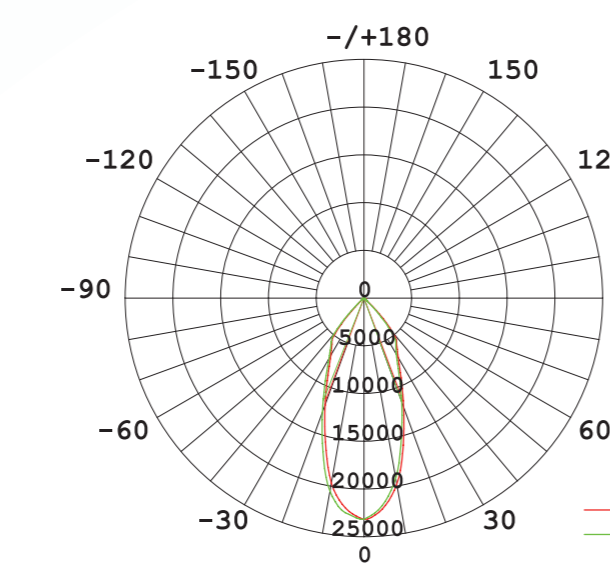
www.fhsolarled.com

FH Solar & Led Ibérica High Bay

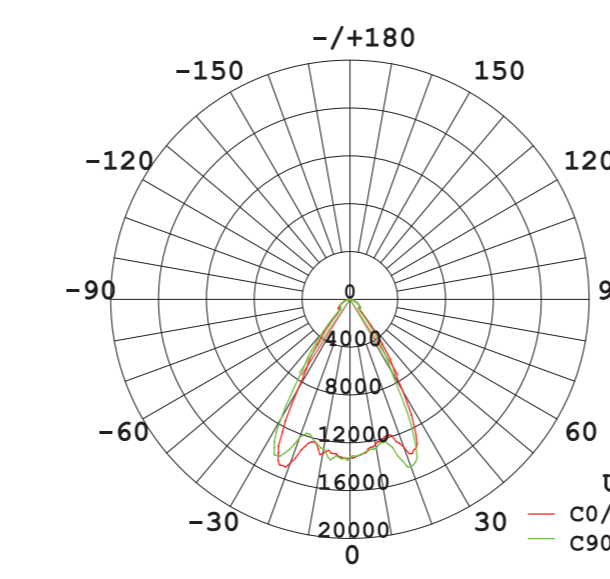
Unprecedented one in industrial Lighting

Unique Excellence

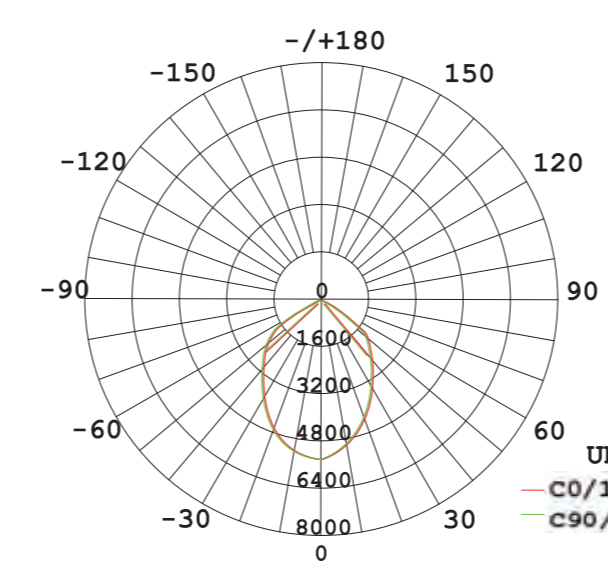
FH-HBP200W Fifth Generation Led



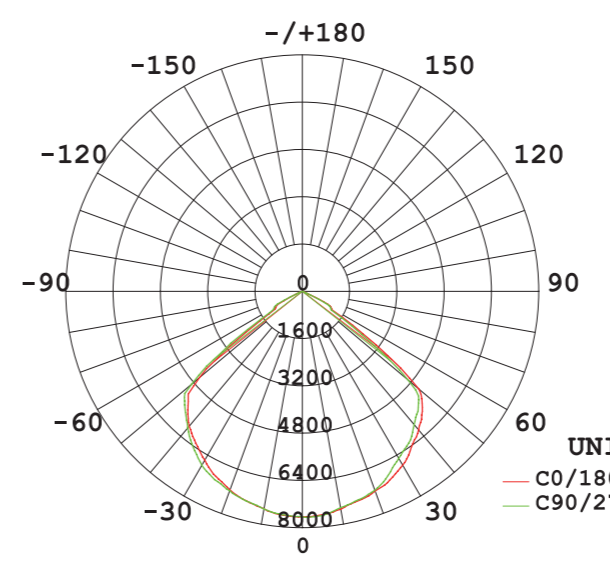
▶ 41.36°



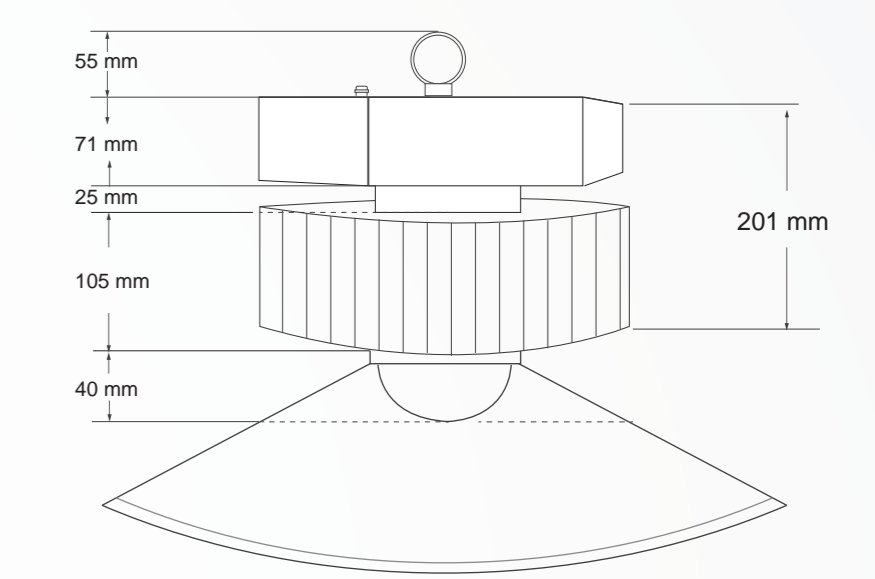
▶ 65.14°



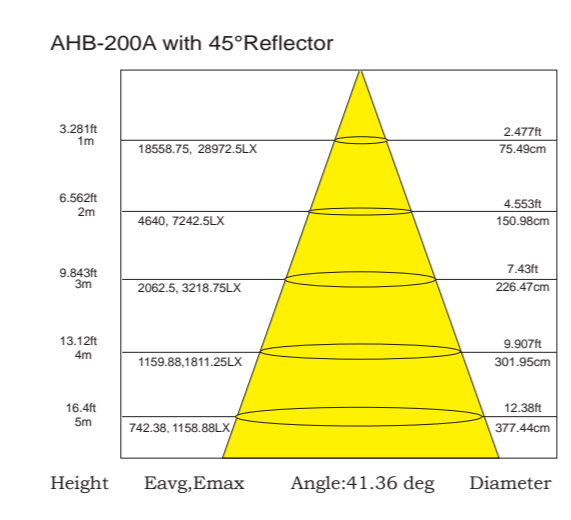
▶ 88.4°



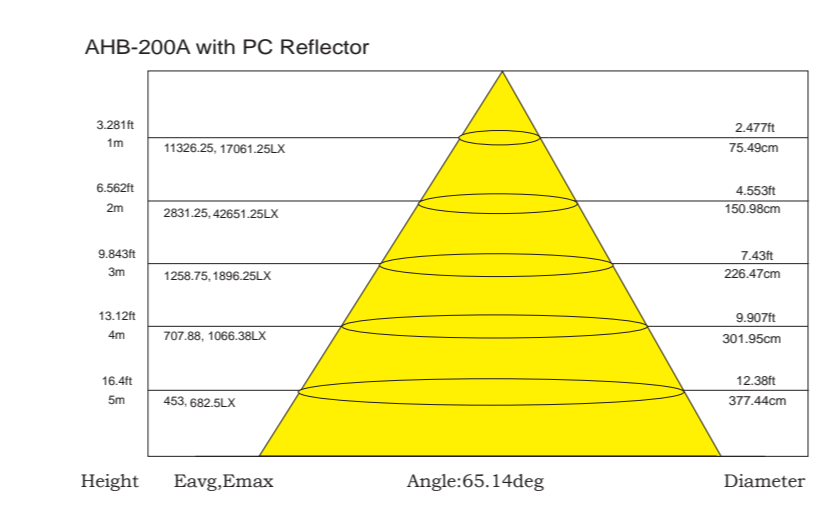
▶ 104.5°



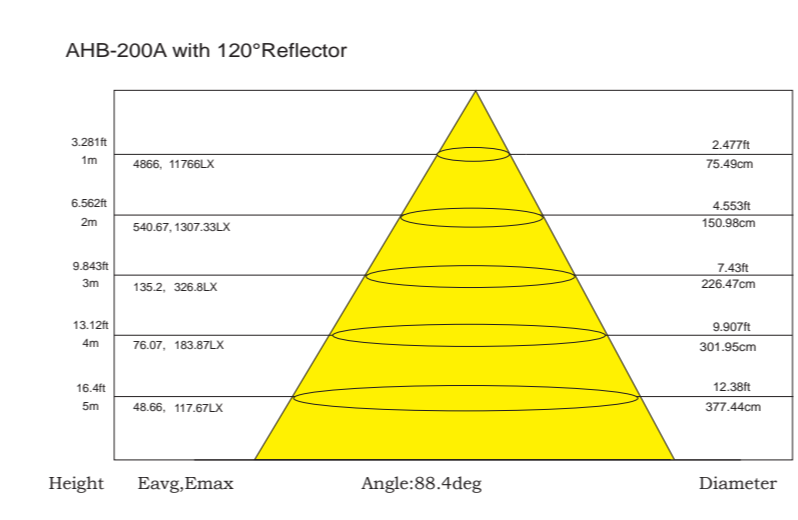
(7.50 kg)



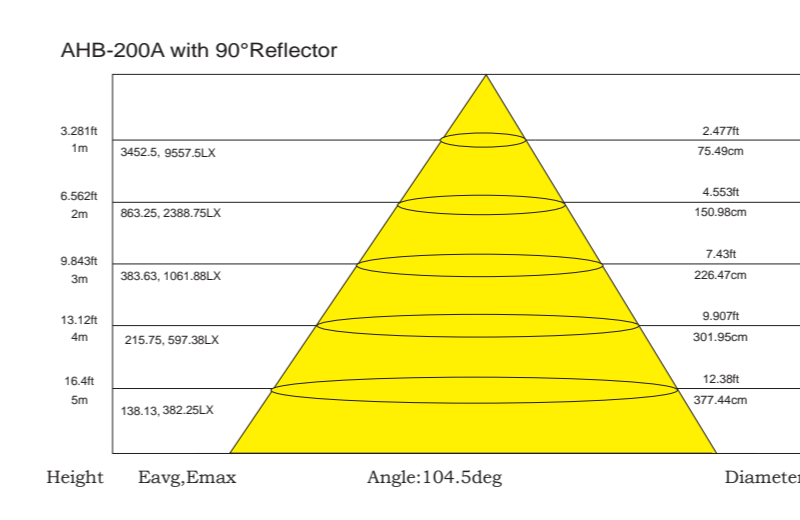
Note: The Curves indicate the illuminated area and the average illumination when the luminaire is at different distance.



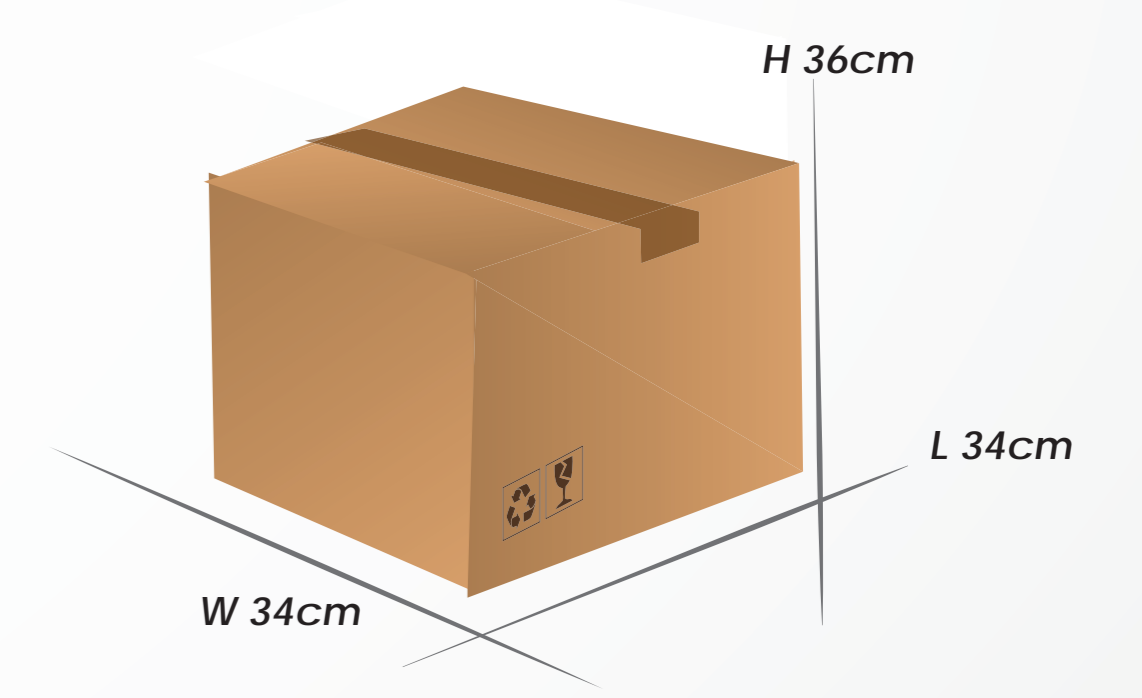
Note: The Curves indicate the illuminated area and the average illumination when the luminaire is at different distance.



Note: The Curves indicate the illuminated area and the average illumination when the luminaire is at different distance.

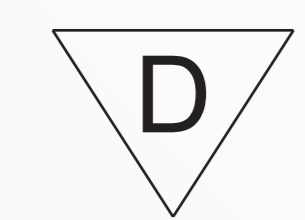


Note: The Curves indicate the illuminated area and the average illumination when the luminaire is at different distance.



(8.50 kg)

PHILIPS LUMILEDS INSIDE PHILIPS ADVANCE



- 200 W**
- 22,734 LM***
- 220-240 V / 120-277 V**
- CRI 70/80/90**
- 3000K ~ 5700K**
- PF ≥0.95**
- IP 20/65**
- CLASS I**
- 40°C~55°C**
- LIFE 100,000H****
- HOUSING AL 6063**
- WARRANTY 10 Yrs**

PHILIPS
sense and simplicity

* Lumen output tested by TUV SUD through the method of IES-LM79, based on 4 hours operating with 120degree reflector
 ** Maximum life expectancy of 100,000 hours at Ta ≤ 38° C

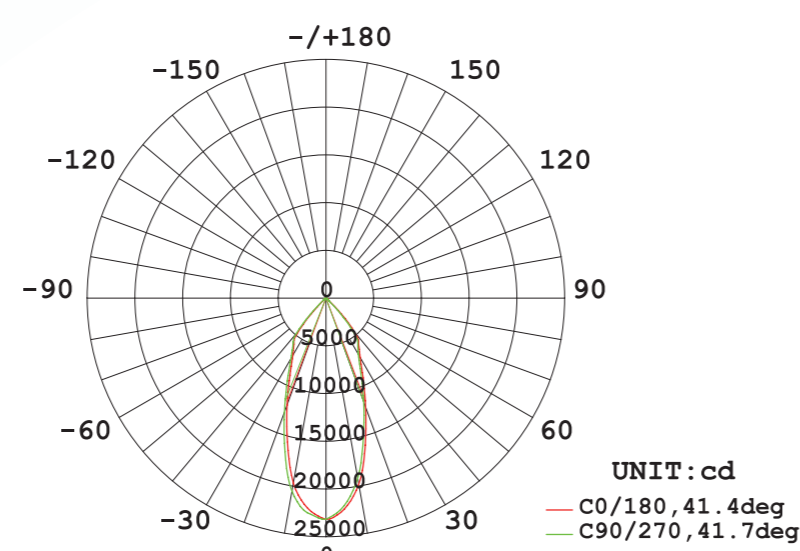
FH Solar & Led Ibérica maintains a tolerance of ±5% on power and ±10% on flux measurements.

FH Solar & Led Ibérica High Bay

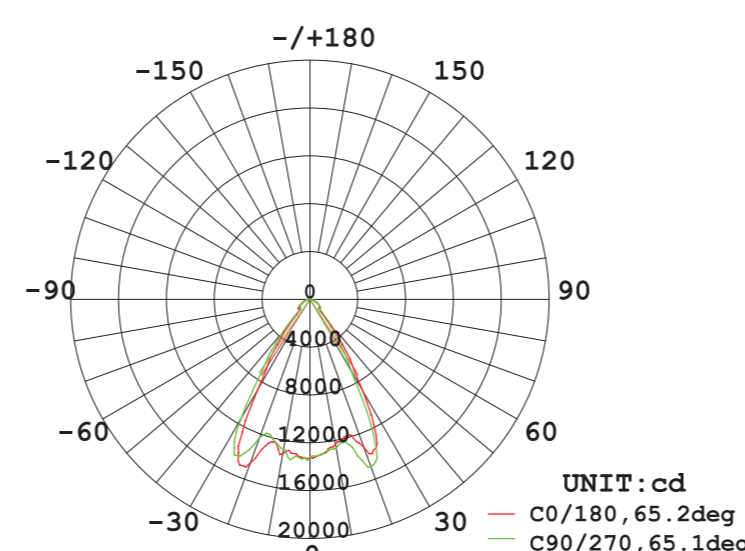
Unprecedented one in industrial Lighting

FH-HBP250W Fifth Generation Led

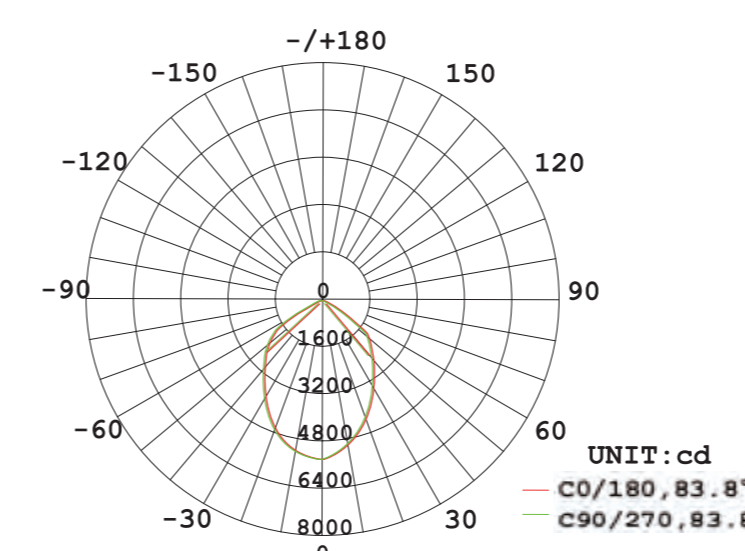
Unique Excellence



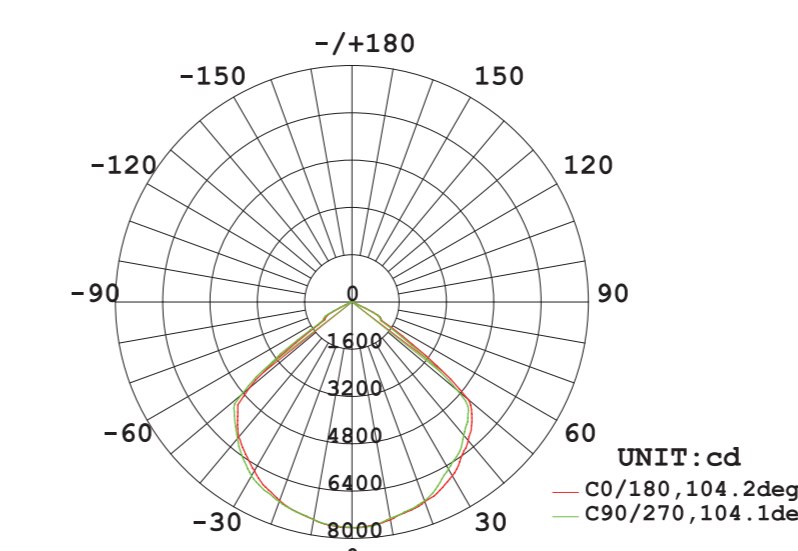
▶ 41.36°



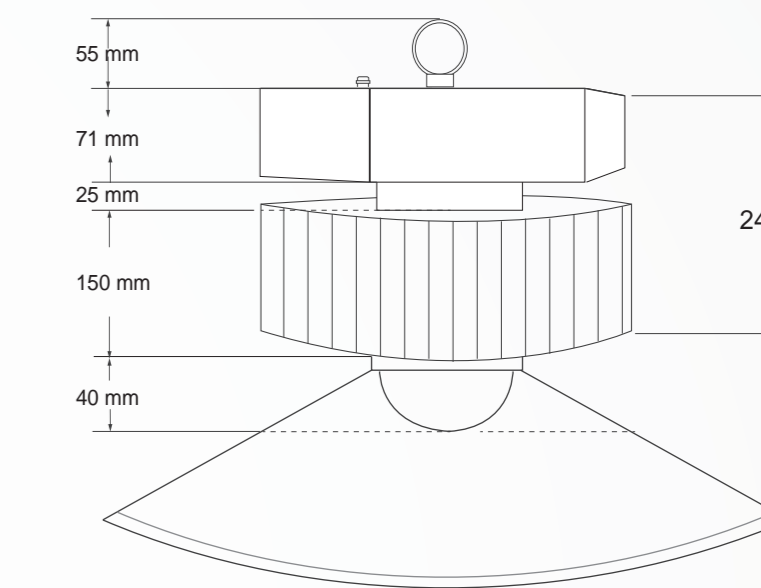
▶ 65.14°



▶ 88.4°

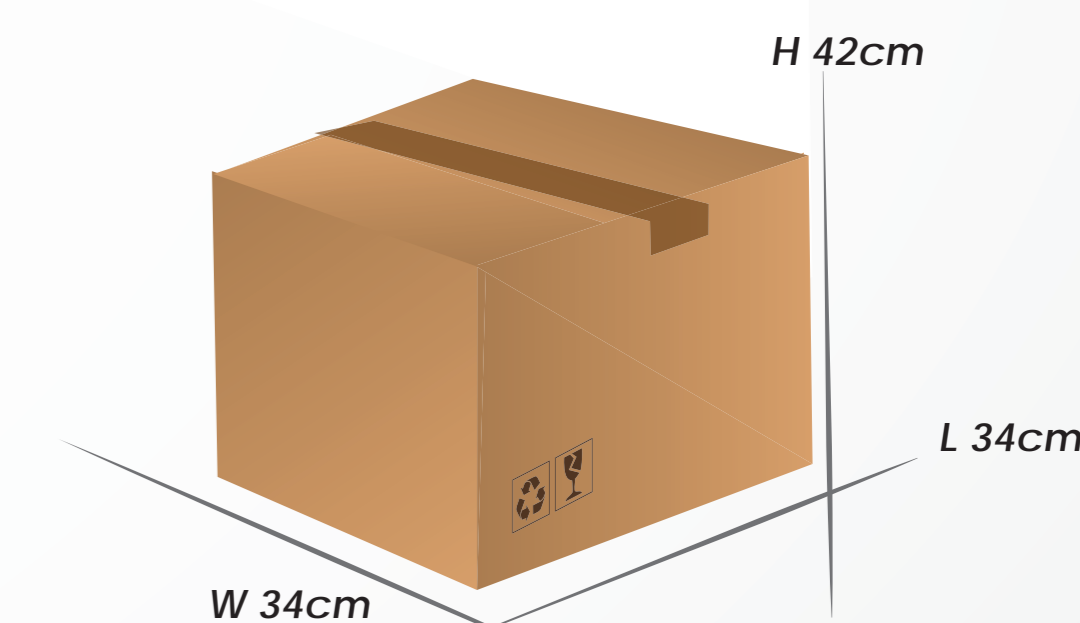
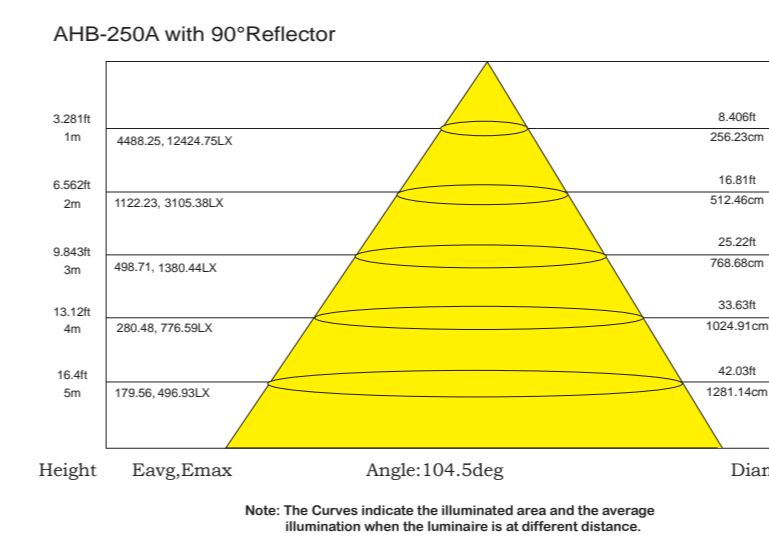
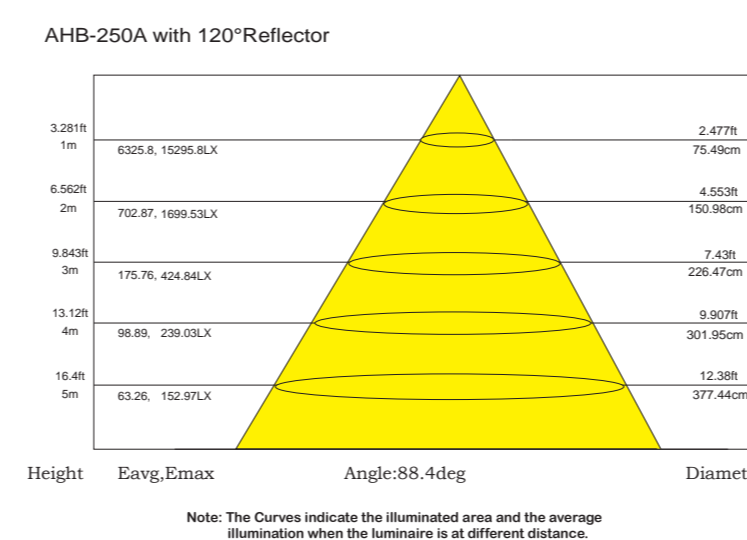
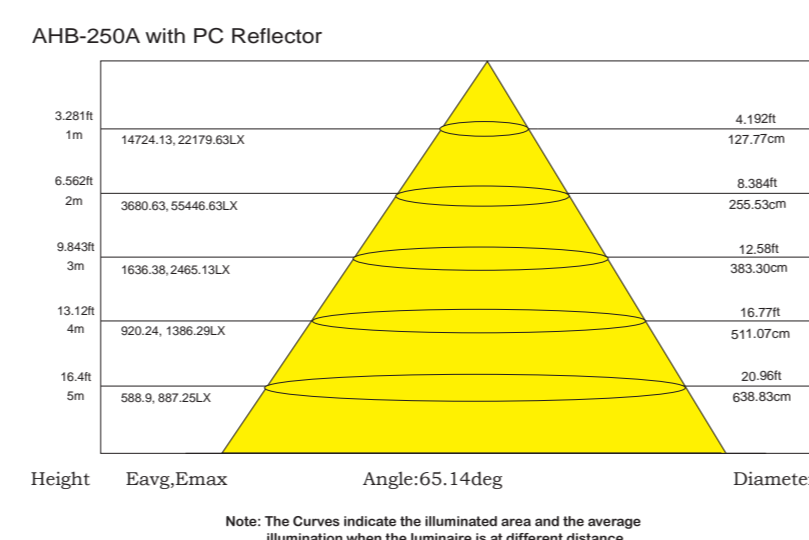
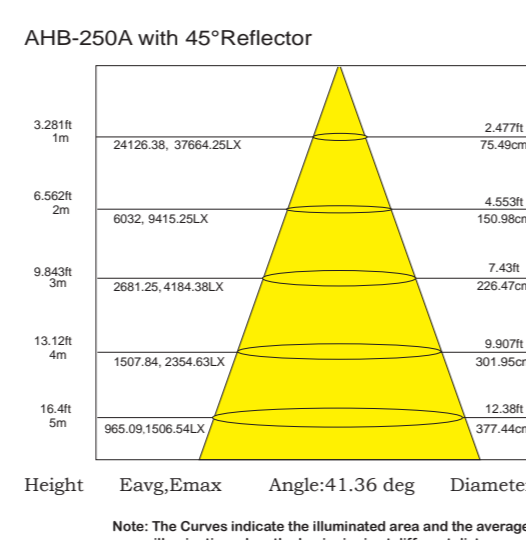
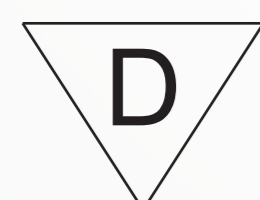


▶ 104.5°



9.00 kg

PHILIPS LUMILEDS INSIDE PHILIPS ADVANCE



10.0 kg

250 W

28,417 LM*

220-240 V
120-277 V

CRI 70/80/90

3000K ~ 5700K

PF ≥0.95

IP 20/65

CLASS I

-40°C~55°C

LIFE 100,000H**

HOUSING AL 6063

WARRANTY 10 Yrs

* Lumen output tested by TUV SUD through the method of IES-LM79, based on 4 hours operating with 120degree reflector

** Maximum life expectancy of 100,000 hours at Ta ≤ 38° C

FH Solar & Led Ibérica maintains a tolerance of ±5% on power and ±10% on flux measurements.

PHILIPS sense and simplicity

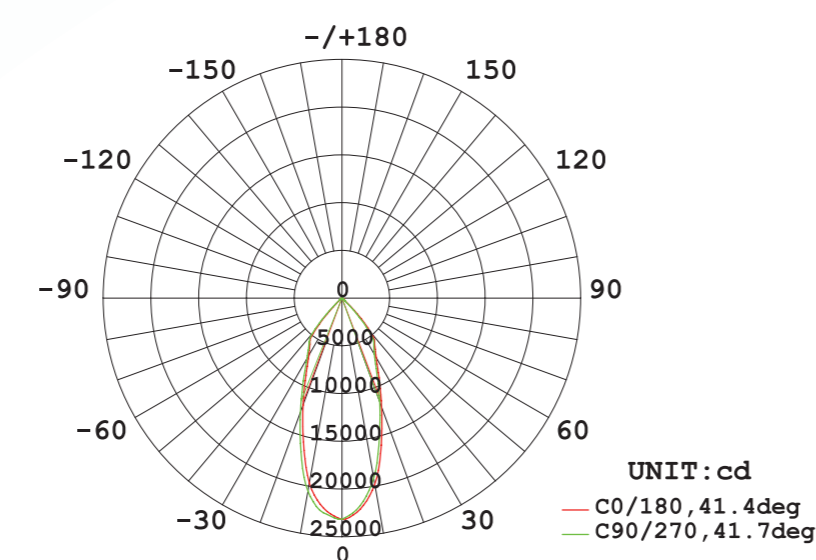
FH Solar & Led Ibérica High Bay

Unprecedented one in industrial Lighting

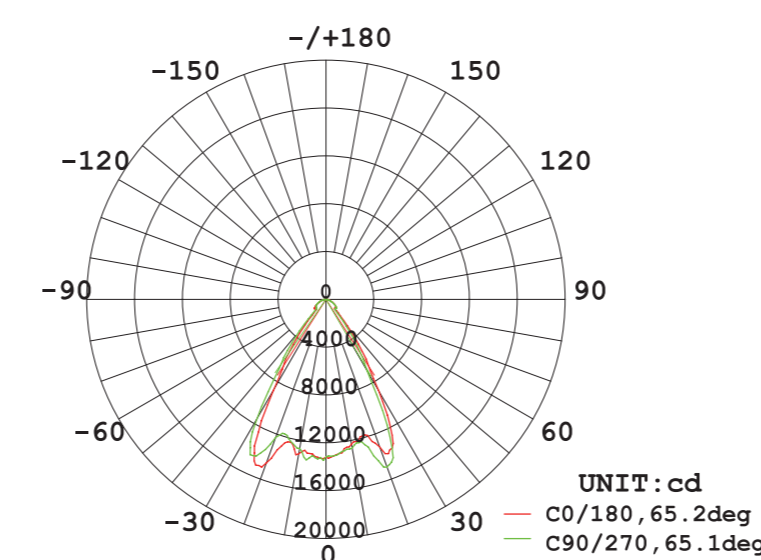
Unique Excellence

FH-HBP300W

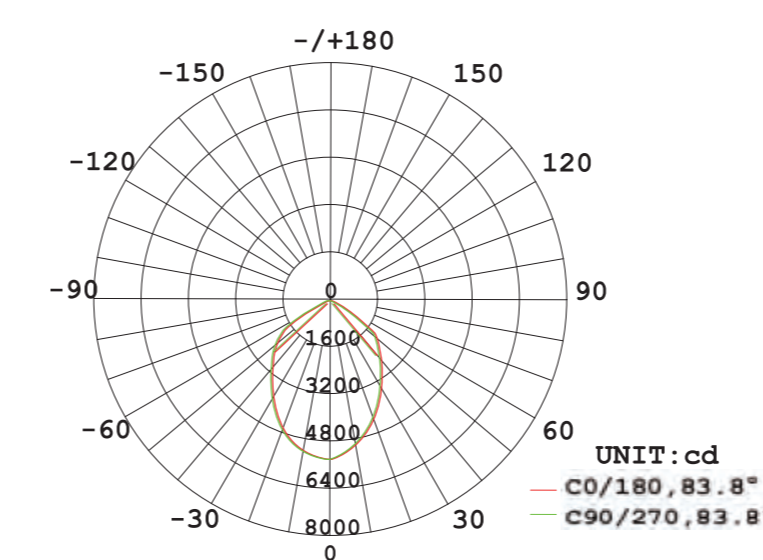
Fifth Generation Led



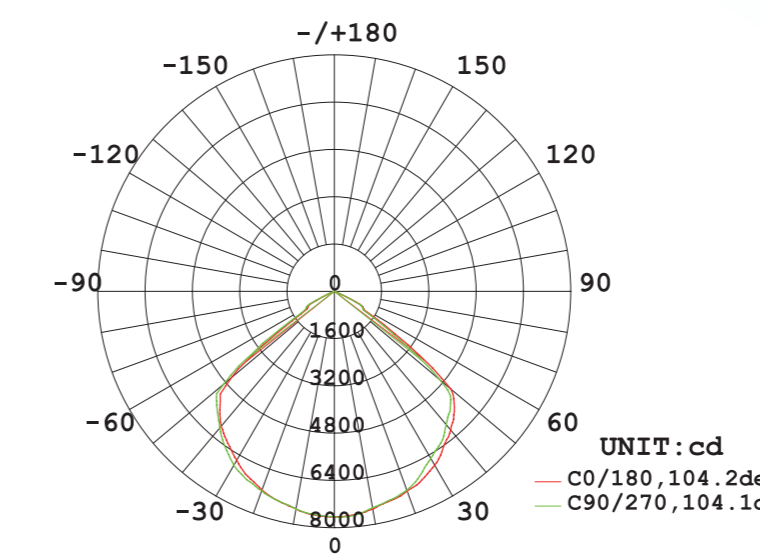
▶ 41.36°



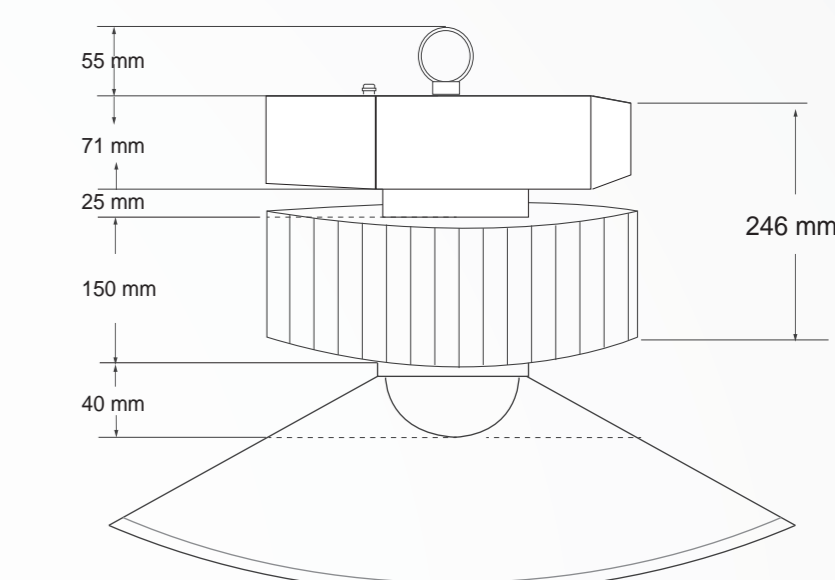
▶ 65.14°



▶ 88.4°

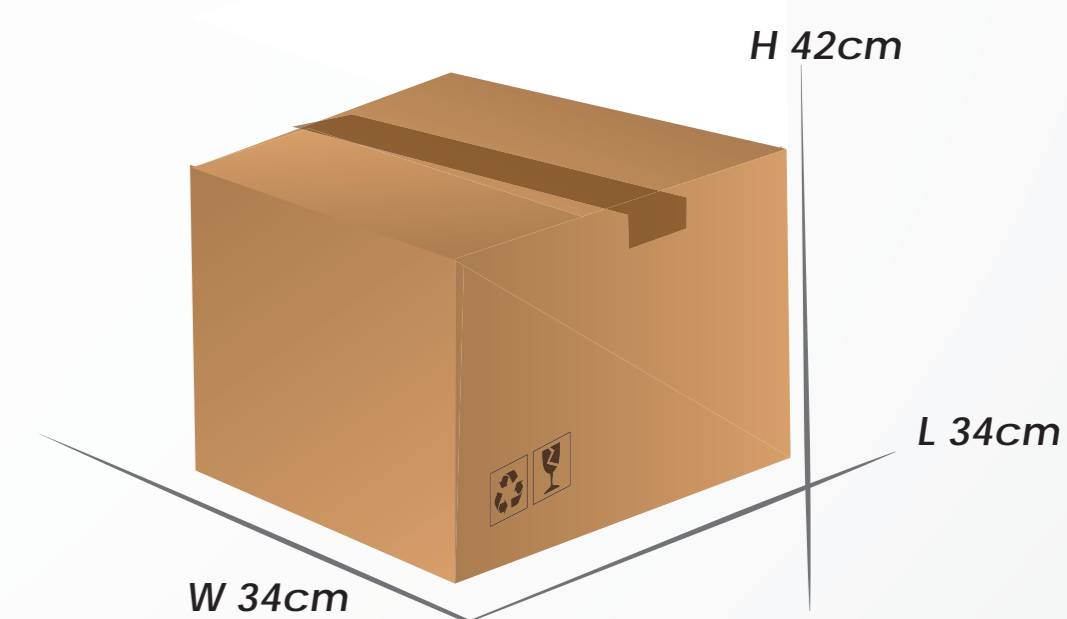
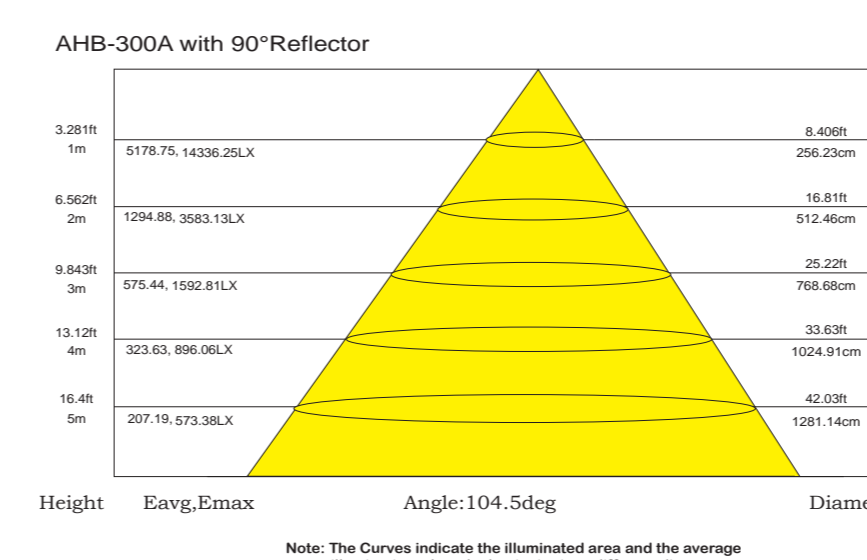
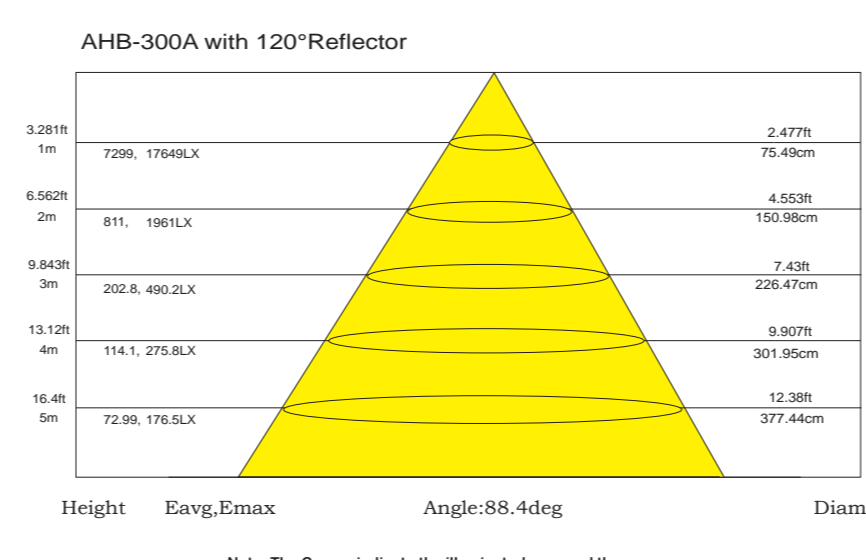
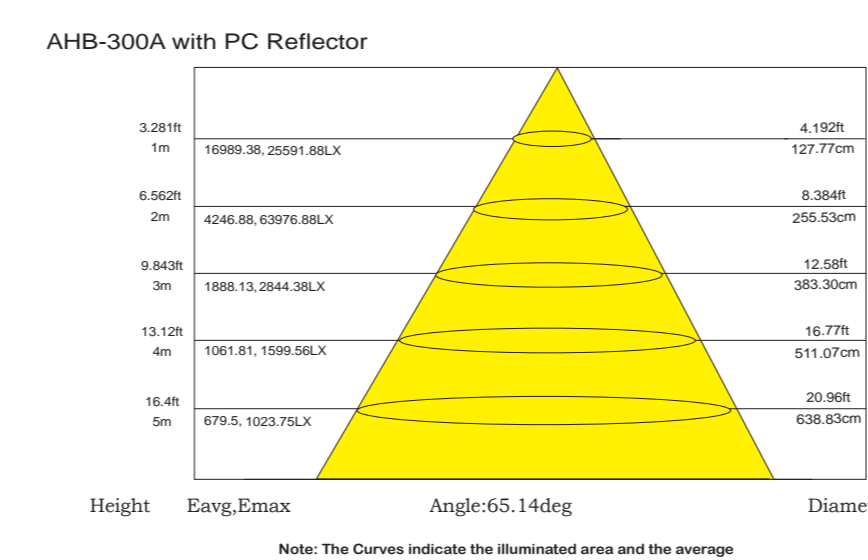
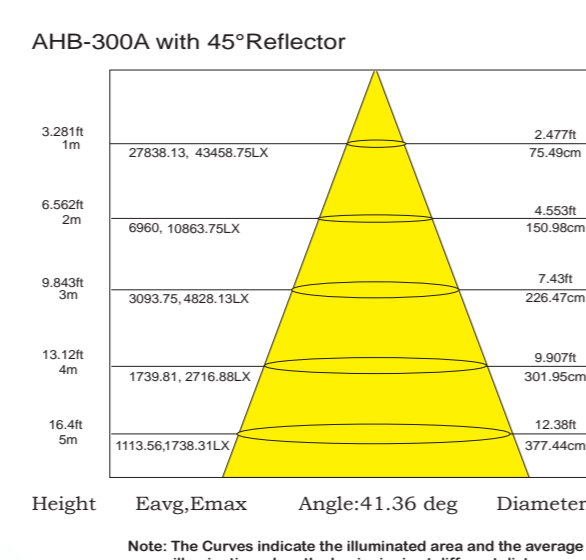
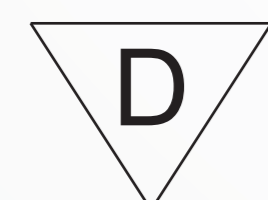


▶ 104.5°



9.5 kg

PHILIPS LUMILEDS INSIDE PHILIPS ADVANCE



10.5 kg

300 W

34,100 LM*

220-240 V
120-277 V

CRI 70/80/90

3000K ~ 5700K

PF ≥ 0.95

IP 20/65

CLASS I

-40°C ~ 55°C

LIFE 100,000H**

HOUSING AL 6063

WARRANTY 10 Yrs

* Lumen output tested by TUV SUD through the method of IES-LM79, based on 4 hours operating with 120degree reflector

** Maximum life expectancy of 100,000 hours at Ta ≤ 38° C

FH Solar & Led Ibérica maintains a tolerance of ±5% on power and ±10% on flux measurements.

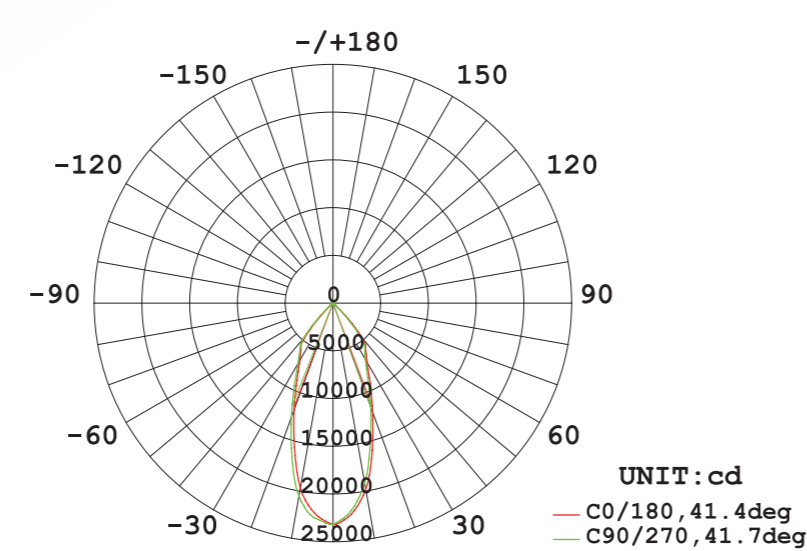
PHILIPS sense and simplicity

FH Solar & Led Ibérica High Bay

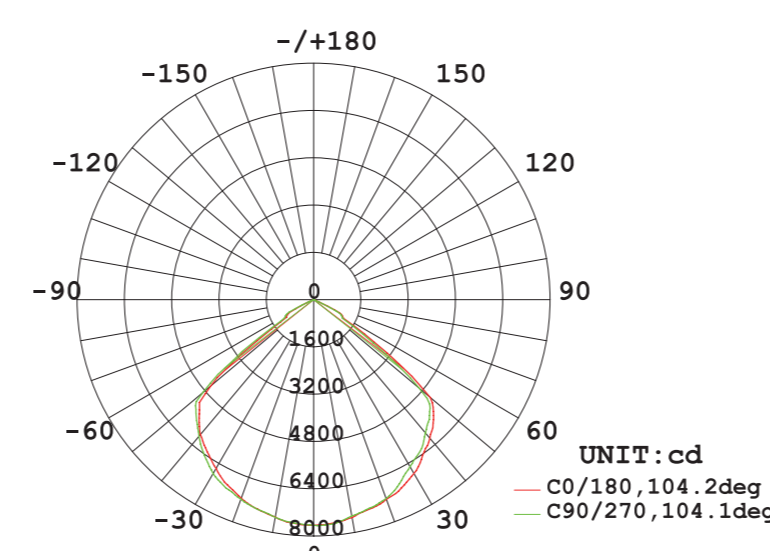
Unprecedented one in industrial Lighting

Unique Excellence

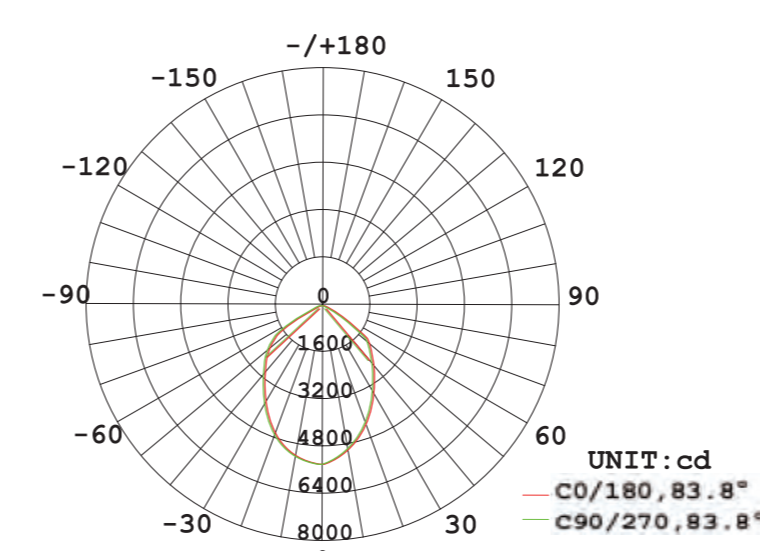
FH-HBP350W Fifth Generation Led



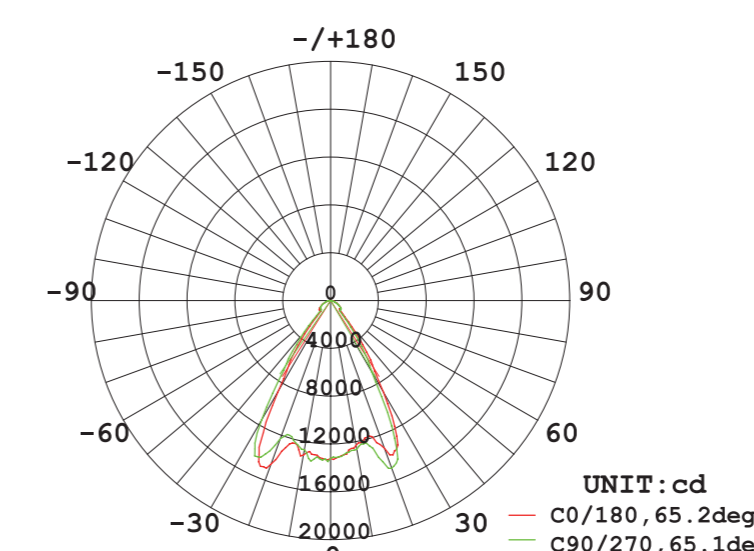
▶ 41.36°



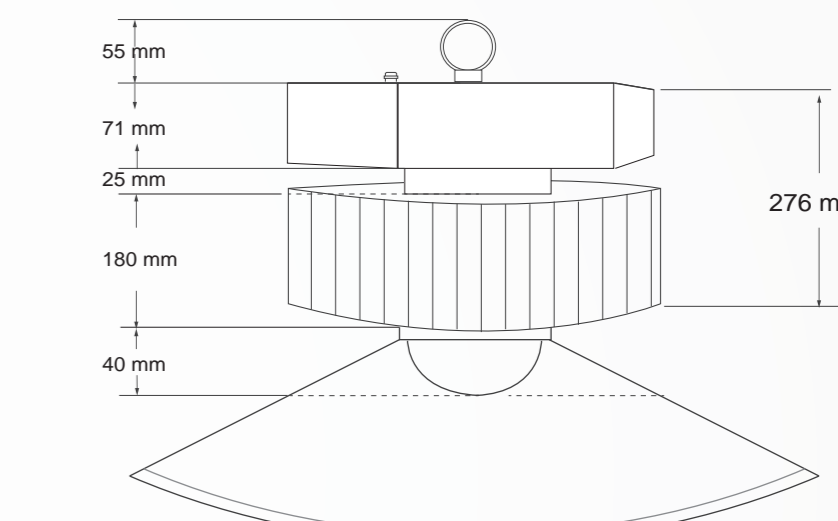
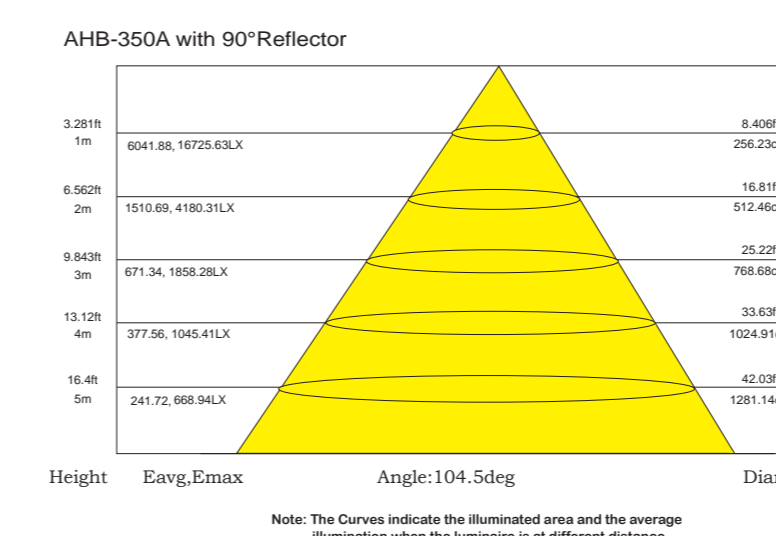
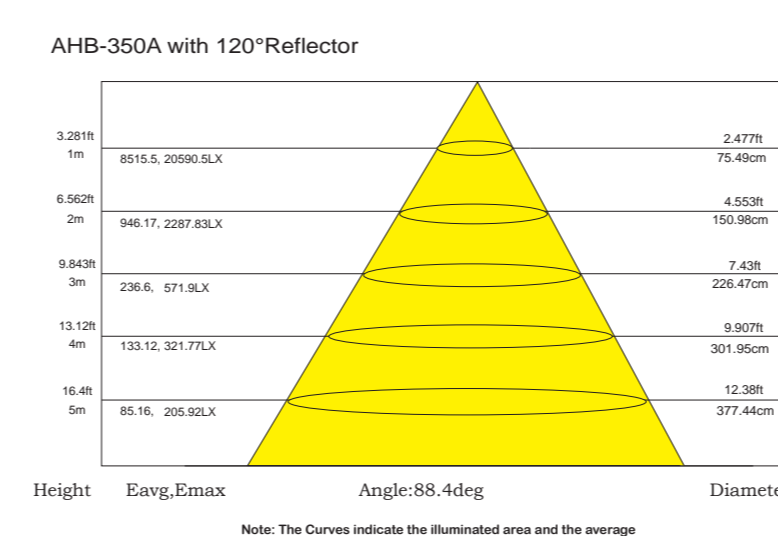
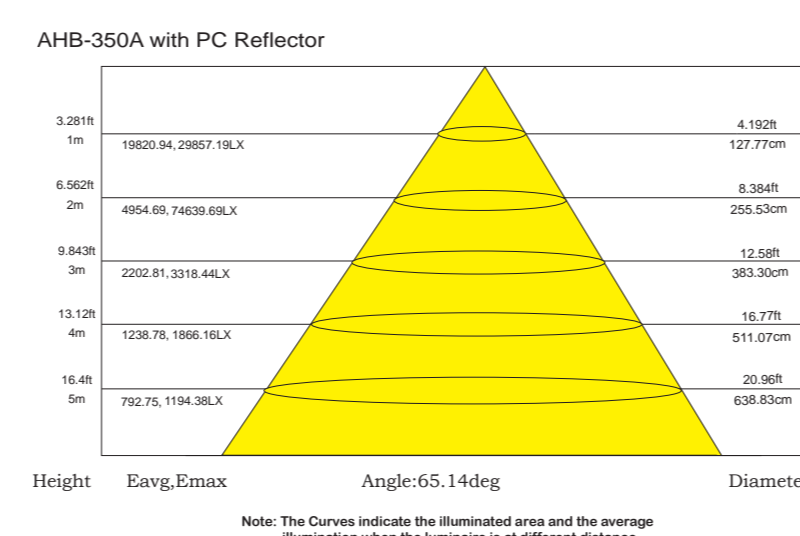
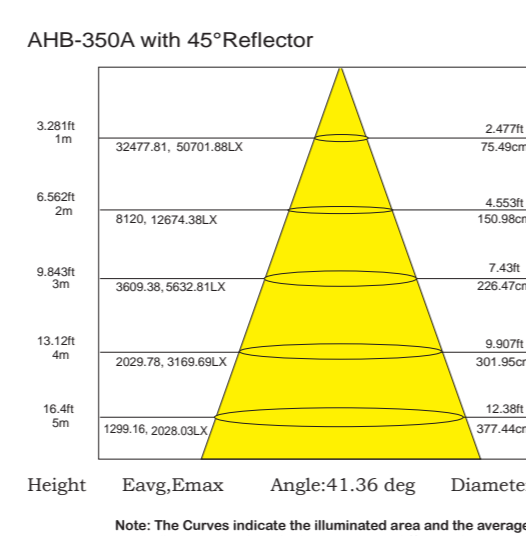
▶ 65.14°



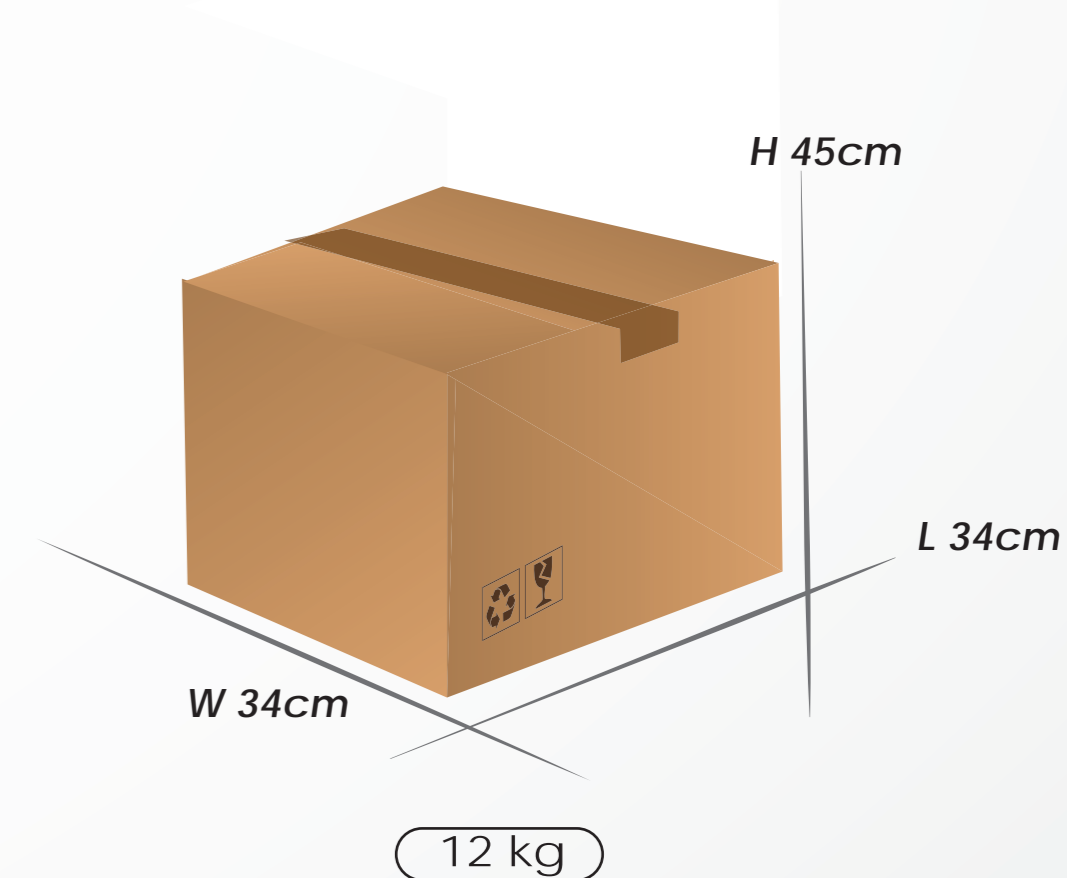
▶ 88.4°



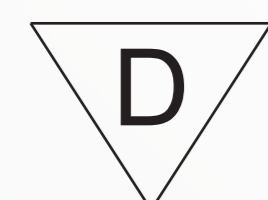
▶ 104.5°



11kg



PHILIPS LUMILEDS INSIDE PHILIPS ADVANCE



350 W

39,785 LM

220-240 V
120-277 V

CRI 70/80/90

3000K ~ 5700K

PF ≥0.95

IP 20/65

CLASS I

-40°C~55°C

LIFE 100,000H

HOUSING AL 6063

WARRANTY 10 Yrs

* Lumen output tested by TUV SUD through the method of IES-LM79, based on 4 hours operating with 120degree reflector

** Maximum life expectancy of 100,000 hours at Ta ≤ 38° C

FH Solar & Led Ibérica maintains a tolerance of ±5% on power and ±10% on flux measurements.

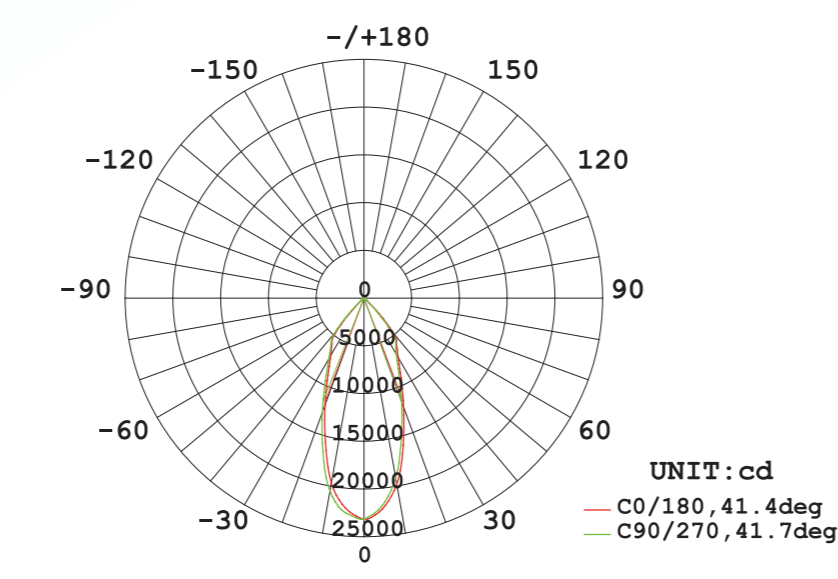
PHILIPS sense and simplicity

FH Solar & Led Ibérica High Bay

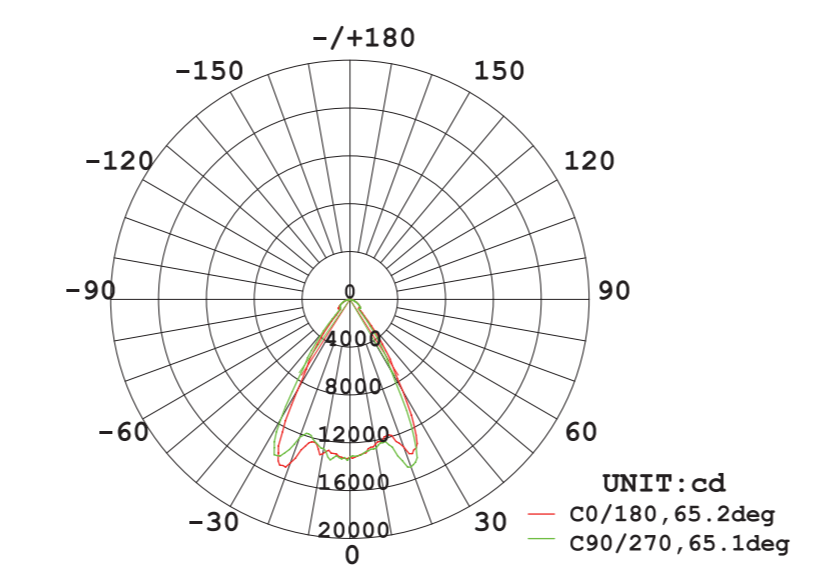
Unprecedented one in industrial Lighting

FH-HBP400W Fifth Generation Led

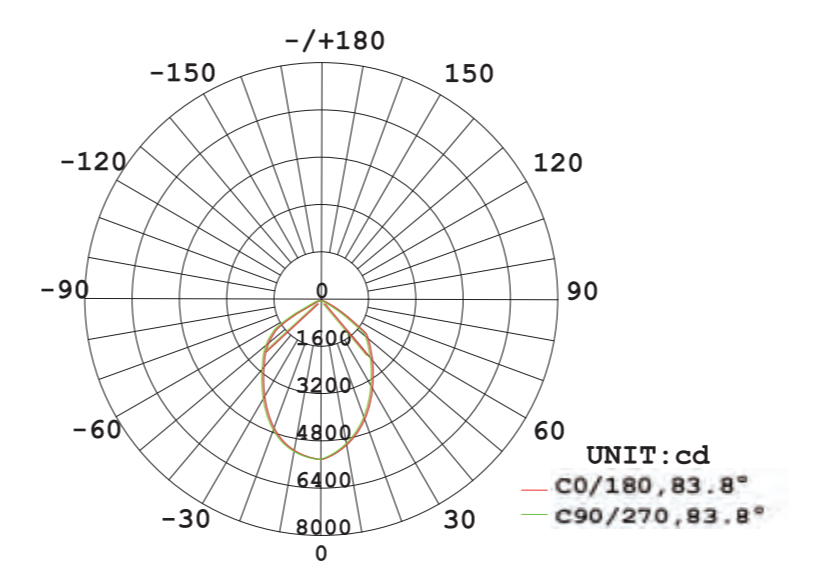
Unique Excellence



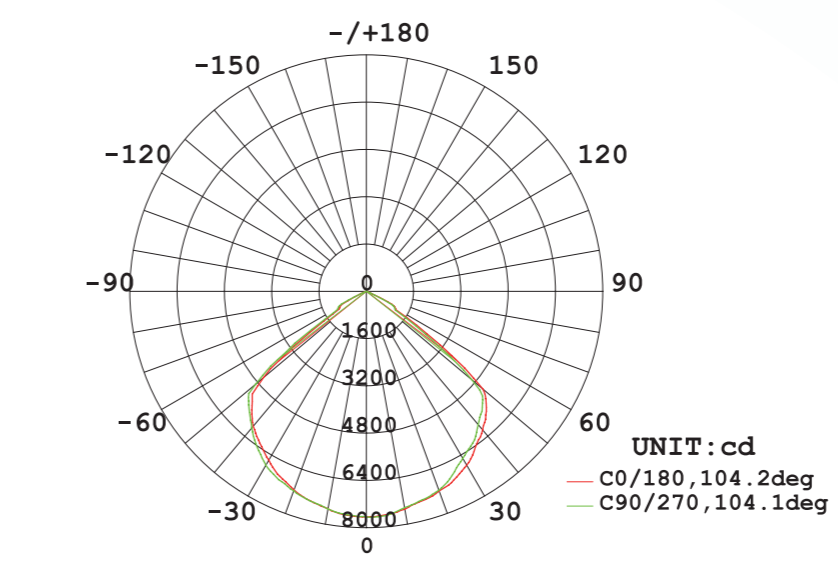
41.36°



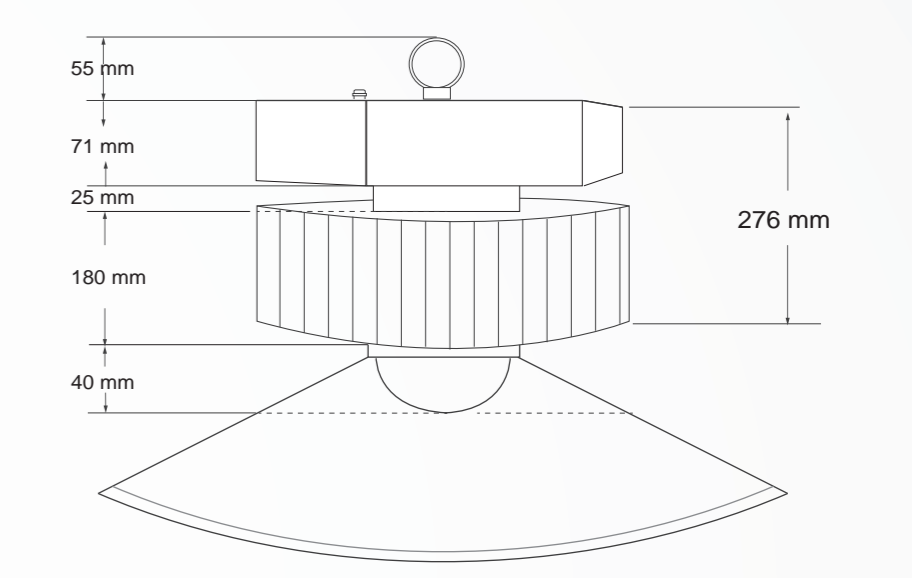
65.14°



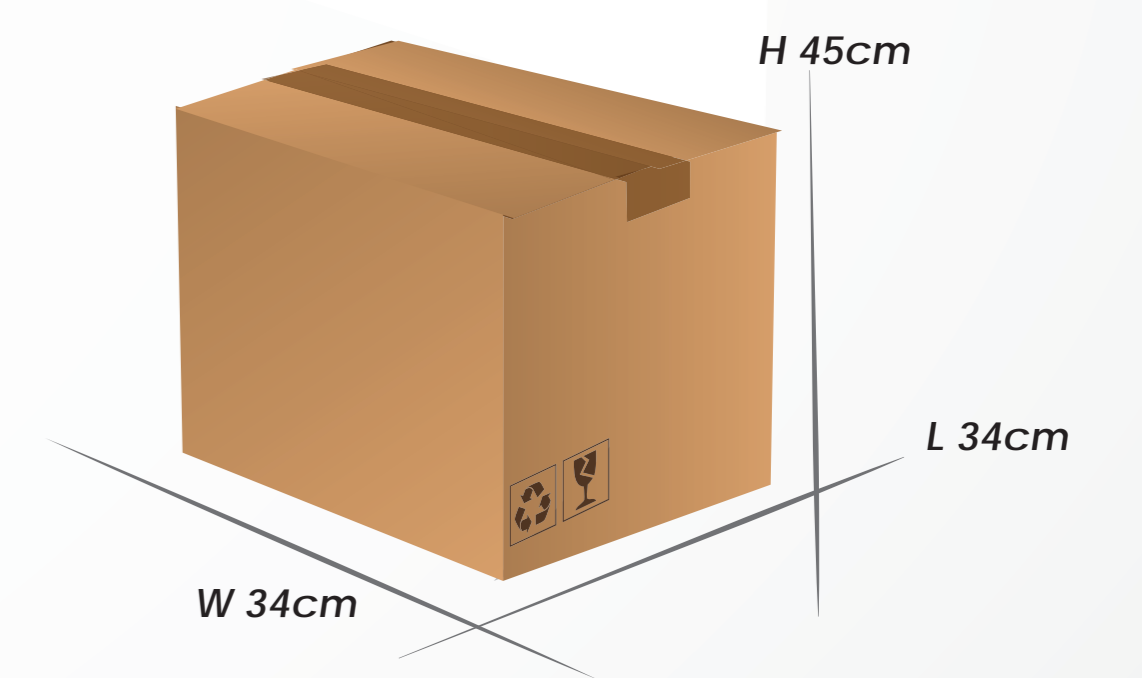
88.4°



104.5°

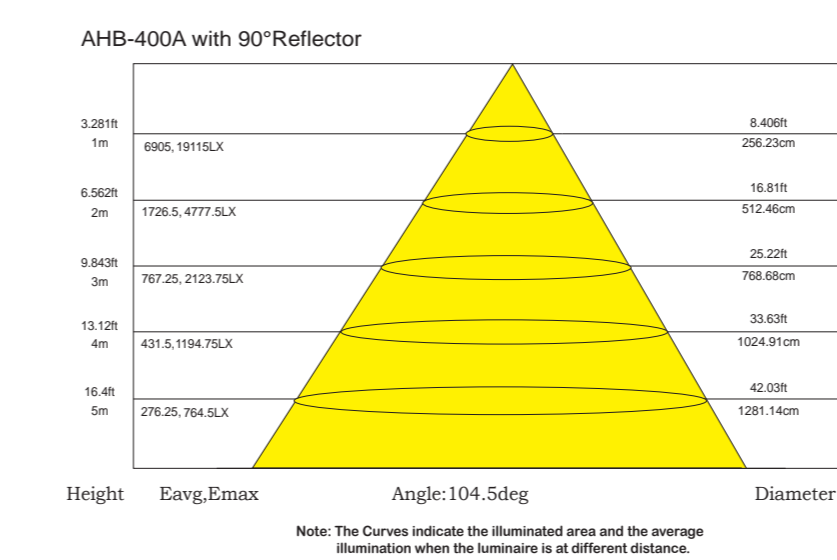
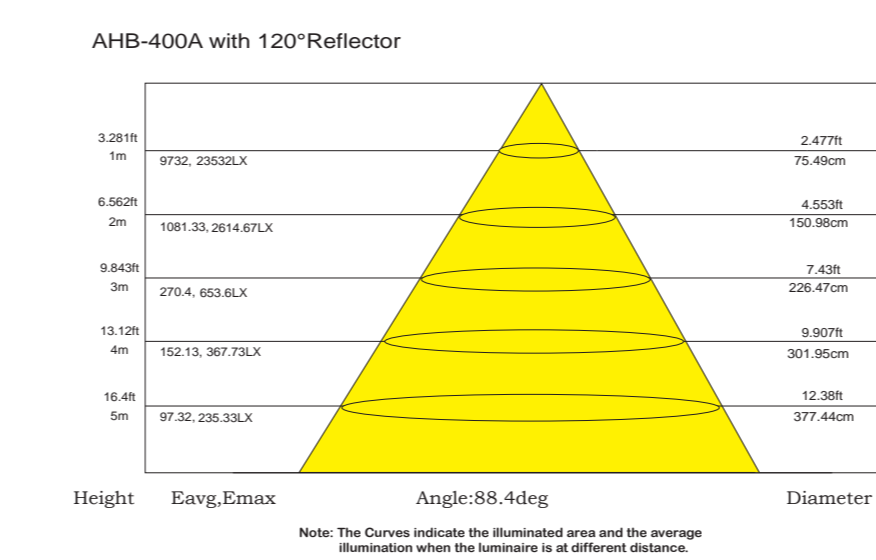
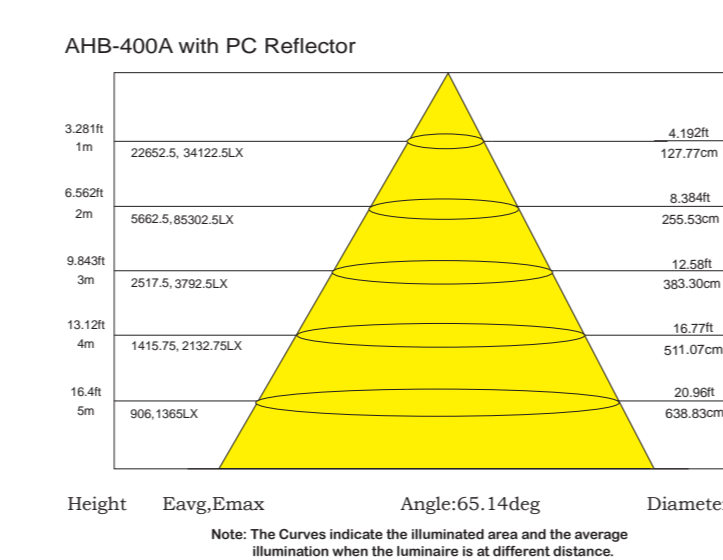
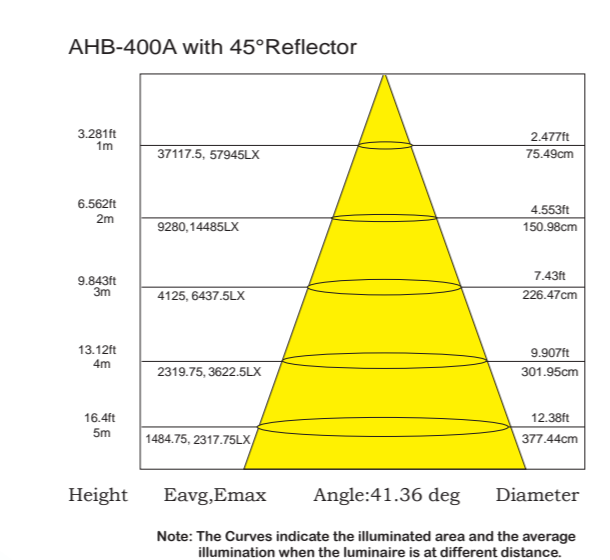
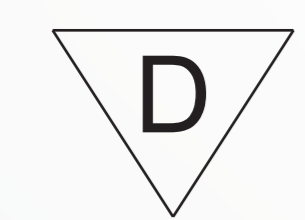


11kg



12 kg

PHILIPS LUMILEDS INSIDE PHILIPS ADVANCE



400 W

45,468 LM

220-240 V
120-277 V

CRI 70/80/90

3000K ~ 5700K

PF ≥0.95

IP 20/65

CLASS I

-40°C-55°C

LIFE 100,000H

HOUSING AL 6063

WARRANTY 10 Yrs

* Lumen output tested by TUV SUD through the method of IES-LM79, based on 4 hours operating with 120degree reflector

** Maximum life expectancy of 100,000 hours at Ta ≤ 38° C

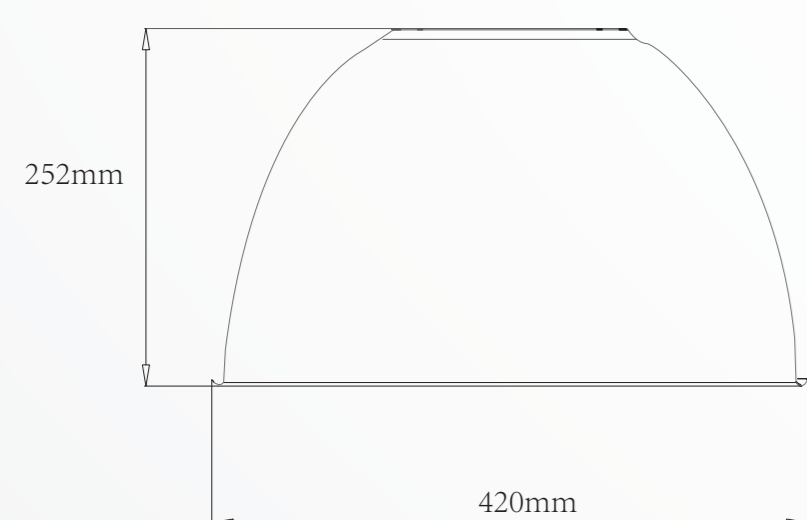
FH Solar & Led Ibérica maintains a tolerance of ±5% on power and ±10% on flux measurements.

PHILIPS sense and simplicity

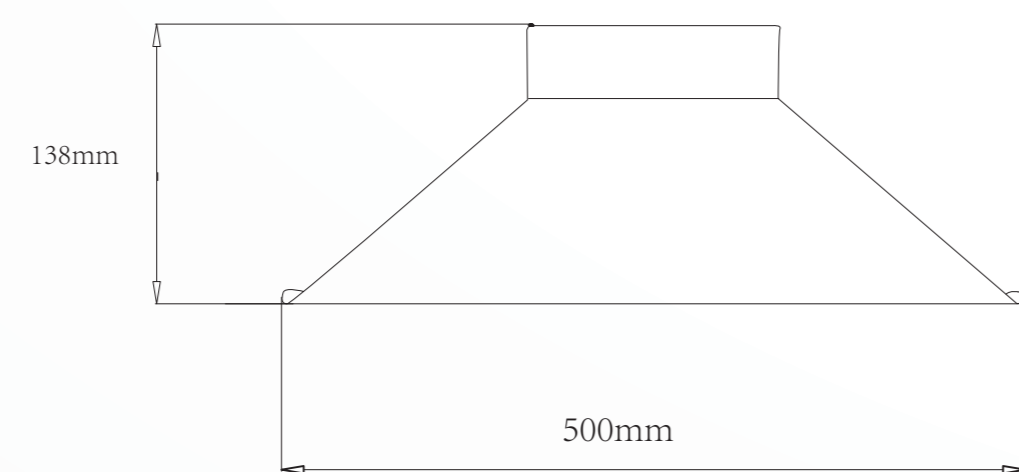
ACCESSORIES



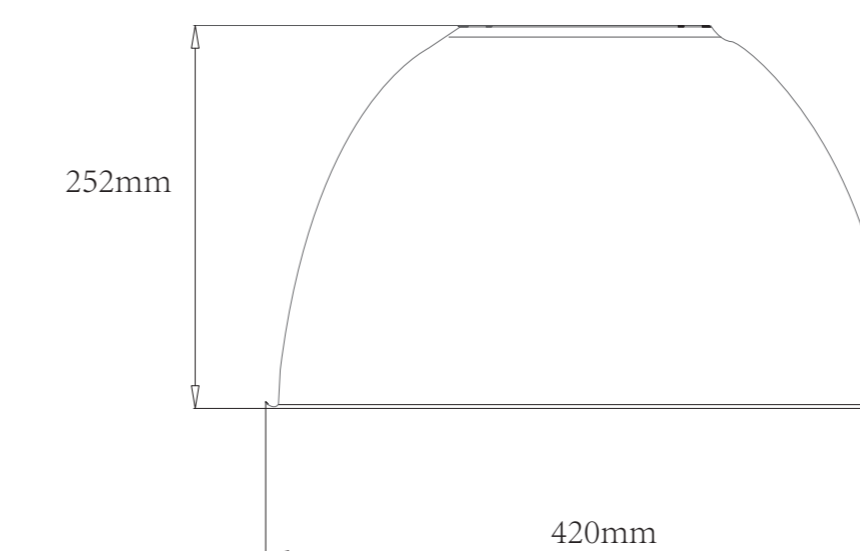
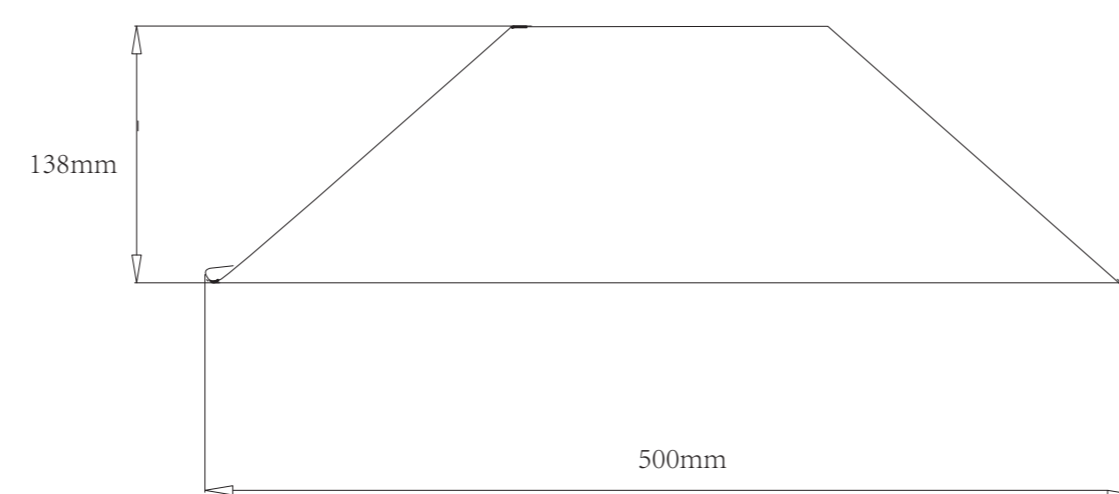
45° REFLECTOR



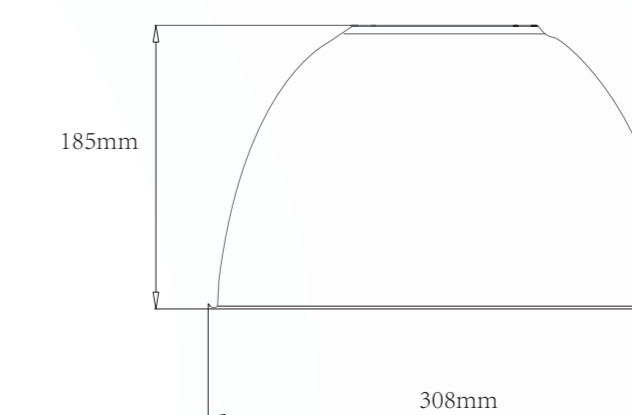
120° ALUMINUM



90° REFLECTOR



PC REFLECTOR



COVER

